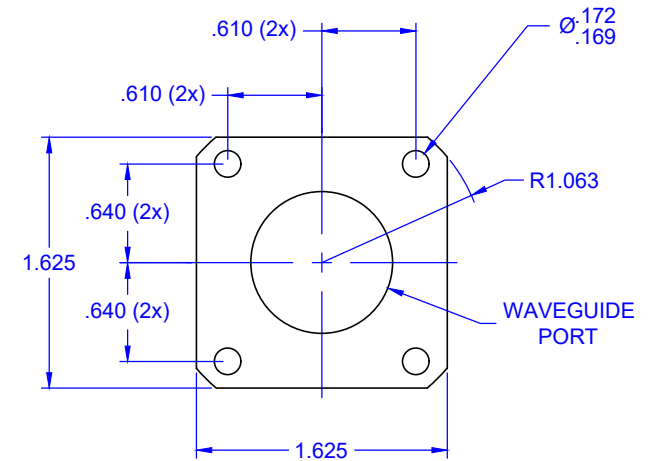
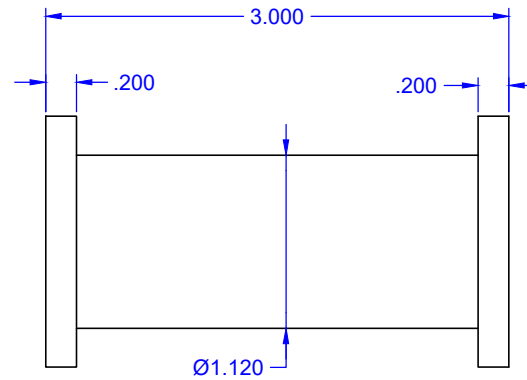
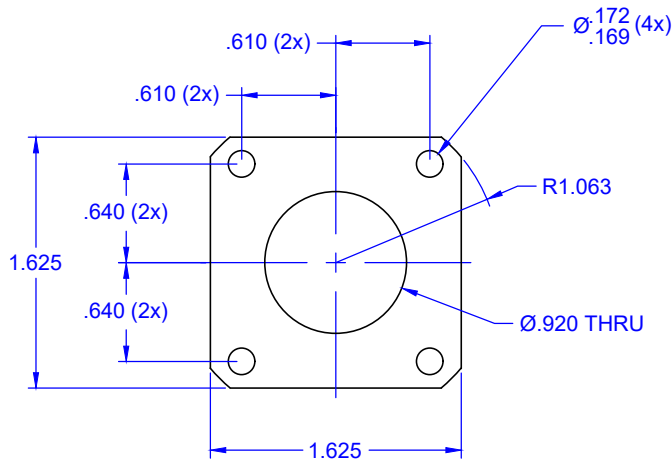


REVISIONS			
REV	DESCRIPTION	DATE	APPROVED
--	--	--	--



NOTE: UG-39 AND UBR 100 FLANGE PATTERNS ARE EQUIVALENT

CIRCULAR WAVEGUIDE PORT INNER DIAMETER
0.795
0.938
1.094

--		--		MATERIAL: 1/2 HARD BRASS		--	
QTY	PART NUMBER	DESCRIPTION				ITEM	
UNLESS OTHERWISE SPECIFIED		 THIRD ANGLE PROJECTION		Mi-Wave Millimeter Products Inc.			
ALL SURFACES 32/							
DIMENSIONS ARE IN INCHES		DRAFTING: MRN		282X-39 OUTLINE			
TOLERANCES ARE:		APPROVED: M.S.					
DECIMALS: .1234 +/- .0005		DATE: 8/13/2010		SIZE		DWG NO	
.123 +/- .005		SHEET NO. 1		OF 1		A 25692	
.12 +/- .01		ORIGINAL DWG# 20215					
ANGLES: +/- .5 DEGREES							
ALL THREADS TO BE 2A OR 2B							
REF DWG# --							
ORIGINAL DWG# 20215							