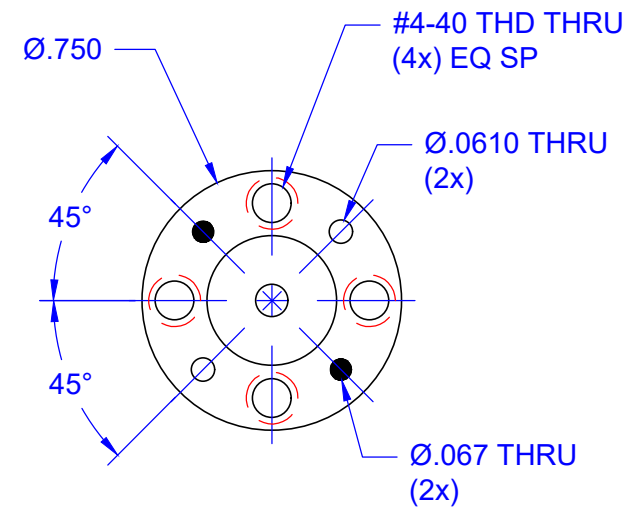
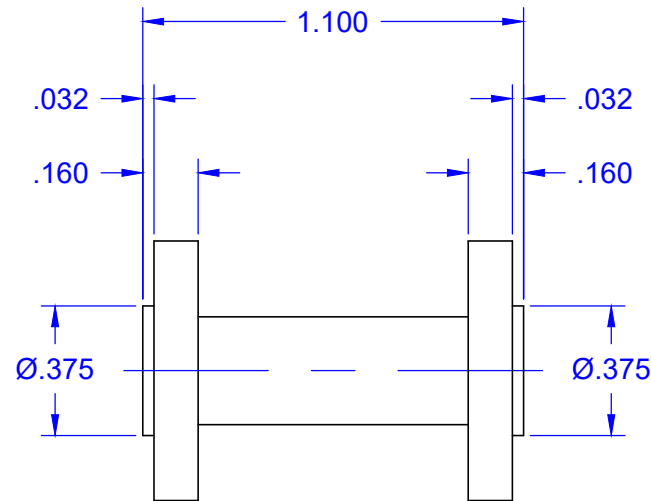
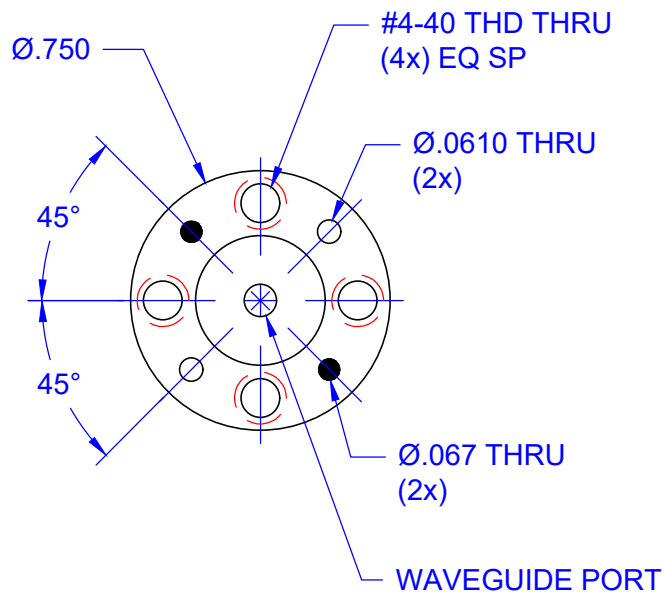


REVISIONS			
REV	DESCRIPTION	DATE	APPROVED
--	--	--	--



CIRCULAR WAVEGUIDE PORT INNER DIAMETER
0.082
0.094
0.110

--	--	MATERIAL: 1/2 HARD BRASS		--
QTY	PART NUMBER	DESCRIPTION		ITEM
UNLESS OTHERWISE SPECIFIED ALL SURFACES $\sqrt{32}$		 THIRD ANGLE PROJECTION		Mi-Wave Millimeter Products Inc. 282W-387 OUTLINE
DIMENSIONS ARE IN INCHES TOLERANCES ARE:				
DECIMALS: .1234 +/- .0005 .123 +/- .005 .12 +/- .01				
ANGLES: +/- .5 DEGREES				
ALL THREADS TO BE 2A OR 2B		DATE: 10/18/2017		DRAFTING: K.S. APPROVED: M.S.
REF DWG# --		SHEET NO. 1	OF 1	
--	--	SIZE A	DWG NO 25687	