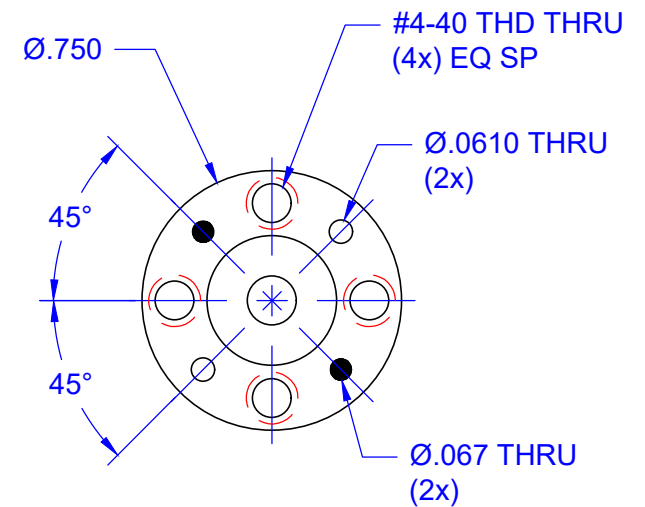
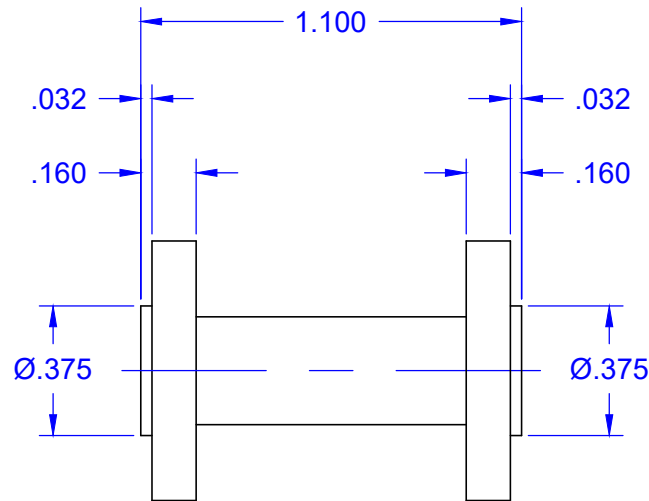
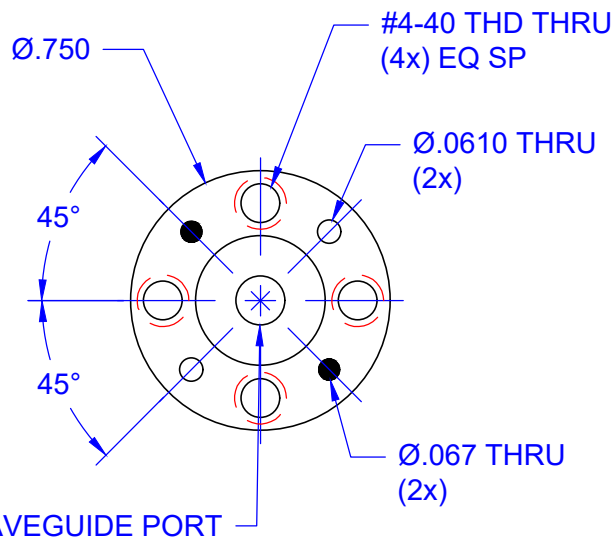


REVISIONS			
REV	DESCRIPTION	DATE	APPROVED
--	--	--	--



**CIRCULAR WAVEGUIDE PORT
INNER DIAMETER**

0.125

0.141

0.165

QTY	PART NUMBER	MATERIAL: 1/2 HARD BRASS		ITEM
UNLESS OTHERWISE SPECIFIED ALL SURFACES $\sqrt{32}$		THIRD ANGLE PROJECTION		Mi-Wave Millimeter Products Inc. TITLE 282V-385 OUTLINE
DIMENSIONS ARE IN INCHES TOLERANCES ARE: DECIMALS: .1234 +/- .0005 .123 +/- .005 .12 +/- .01 ANGLES: +/- .5 DEGREES		DRAFTING: MRN		
ALL THREADS TO BE 2A OR 2B		APPROVED: M.S.		
REF DWG# --		DATE: 1/26/2012		
--	--	SHEET NO. 1	OF 1	SIZE A
				DWG NO 25686