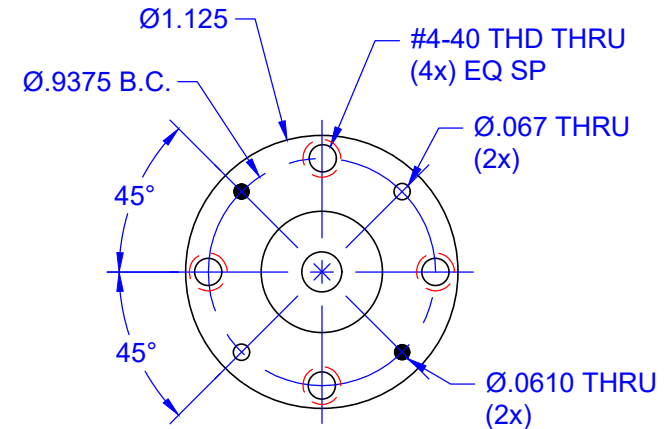
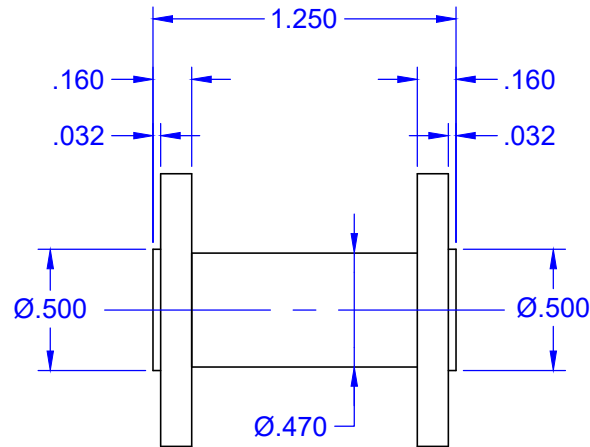
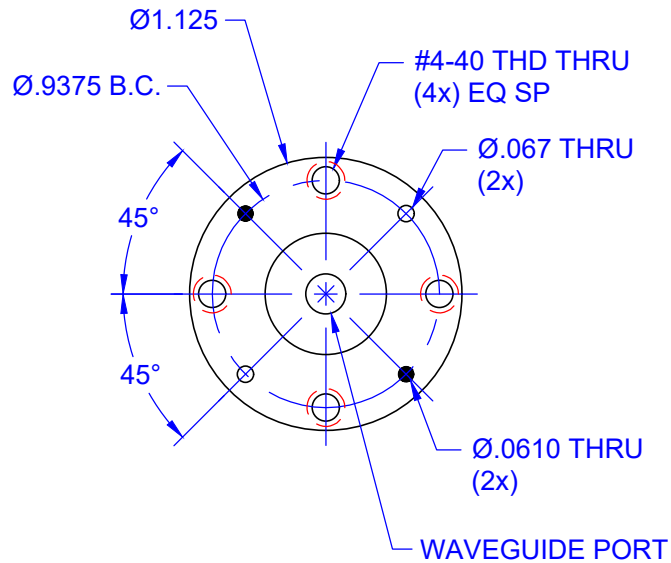


REVISIONS			
REV	DESCRIPTION	DATE	APPROVED
--	--	--	--



CIRCULAR WAVEGUIDE PORT INNER DIAMETER
0.165
0.188
0.219

QTY	PART NUMBER	MATERIAL: BRASS		ITEM
UNLESS OTHERWISE SPECIFIED		DESCRIPTION		
ALL SURFACES $\sqrt{32}$		 THIRD ANGLE PROJECTION		Mi-Wave Millimeter Products Inc.
DIMENSIONS ARE IN INCHES		DRAFTING: K.S. APPROVED: M.S. DATE: 1/19/2016		282U-383 OUTLINE
TOLERANCES ARE:		SHEET NO.	OF	SIZE
DECIMALS: .1234 +/- .0005		1	1	A
.123 +/- .005				DWG NO
.12 +/- .01				25685
ANGLES: +/- .5 DEGREES				
ALL THREADS TO BE 2A OR 2B				
REF DWG# --				