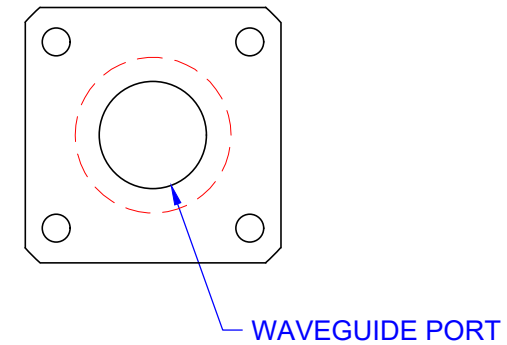
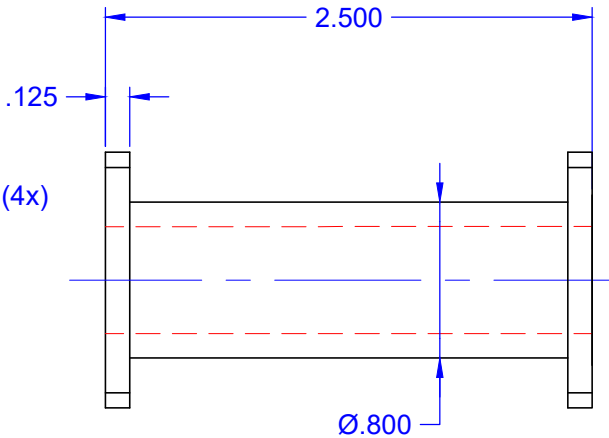
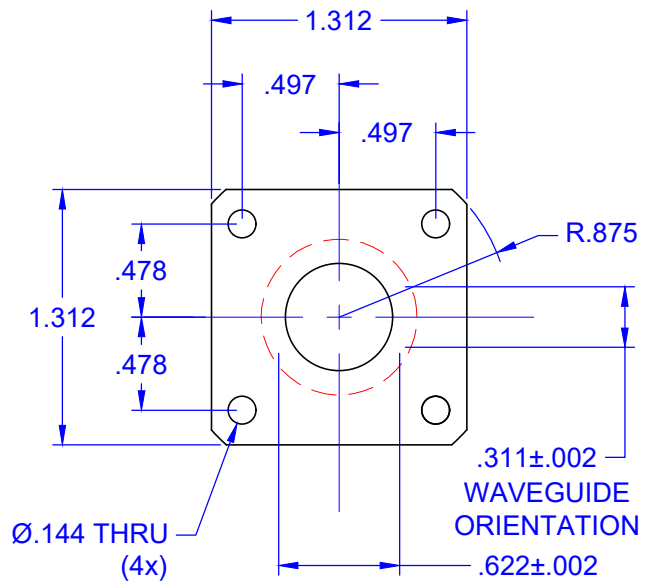


REVISIONS			
REV	DESCRIPTION	DATE	APPROVED
--	--	--	--



CIRCULAR WAVEGUIDE PORT INNER DIAMETER
0.5500
0.6600

QTY	PART NUMBER	MATERIAL: ALUMINUM		DESCRIPTION	ITEM
--	--				
UNLESS OTHERWISE SPECIFIED		<p>THIRD ANGLE PROJECTION</p>		<p>Mi-Wave Millimeter Products Inc.</p> <p>TITLE</p> <p>282KU-.550/419 MACHINING</p>	
ALL SURFACES $\sqrt{32}$					
DIMENSIONS ARE IN INCHES					
TOLERANCES ARE:					
DECIMALS: .1234 +/- .0005		DRAFTING: K.S.		<p>SIZE</p> <p>A</p>	
.123 +/- .005		APPROVED: M.S.			
.12 +/- .01		DATE: 3/27/2017			
ANGLES: +/- .5 DEGREES		SHEET NO.		DWG NO	
ALL THREADS TO BE 2A OR 2B		1		25681	
REF DWG# --		OF			
		1			