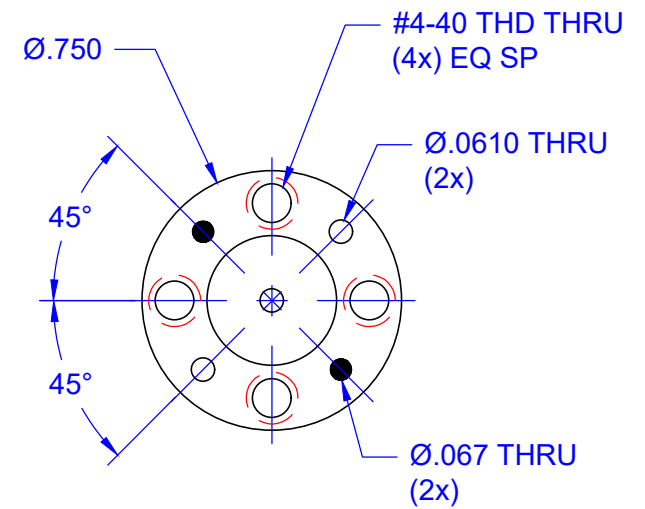
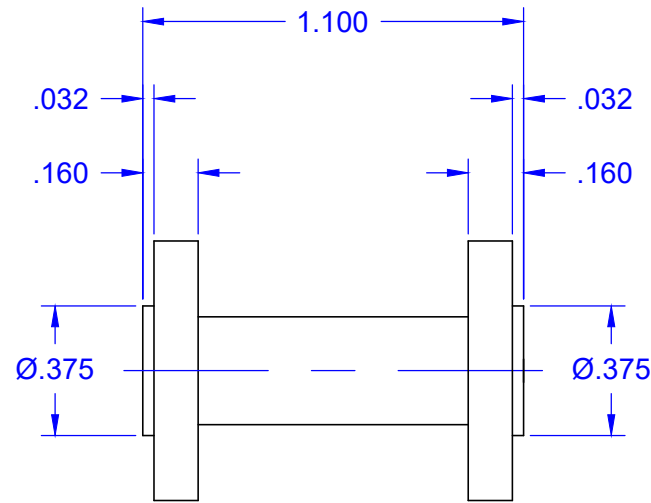
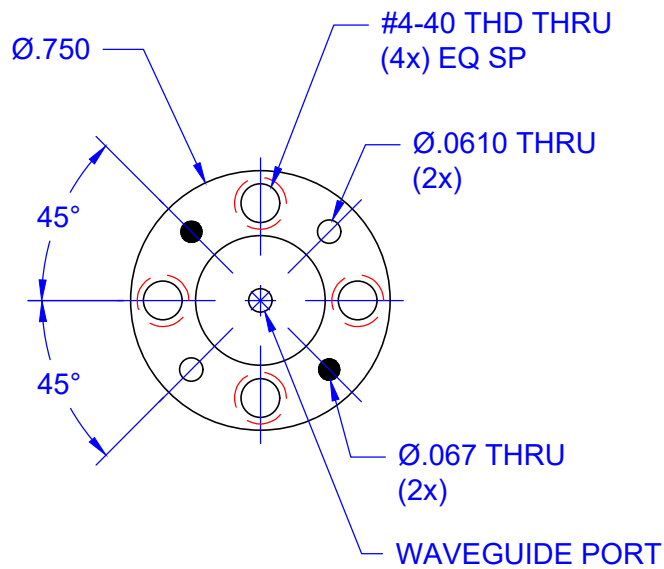


REVISIONS			
REV	DESCRIPTION	DATE	APPROVED
--	--	--	--



CIRCULAR WAVEGUIDE PORT INNER DIAMETER
0.059
0.067

QTY	PART NUMBER	MATERIAL: 1/2 HARD BRASS		ITEM
UNLESS OTHERWISE SPECIFIED		DESCRIPTION		
ALL SURFACES $\sqrt{32}$		THIRD ANGLE PROJECTION		
DIMENSIONS ARE IN INCHES		DRAFTING: K.S.		Mi-Wave Millimeter Products Inc.
TOLERANCES ARE:		APPROVED: M.S.		
DECIMALS: .1234 +/- .0005		DATE: 10/18/2017		
.123 +/- .005				TITLE
.12 +/- .01				
ANGLES: +/- .5 DEGREES				282G-387 OUTLINE
ALL THREADS TO BE 2A OR 2B				
REF DWG# --		SHEET NO.	OF	SIZE
--		1	1	DWG NO
				25690