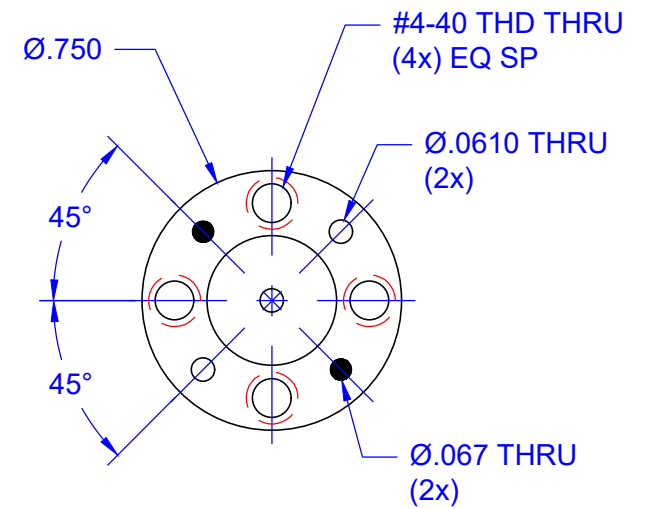
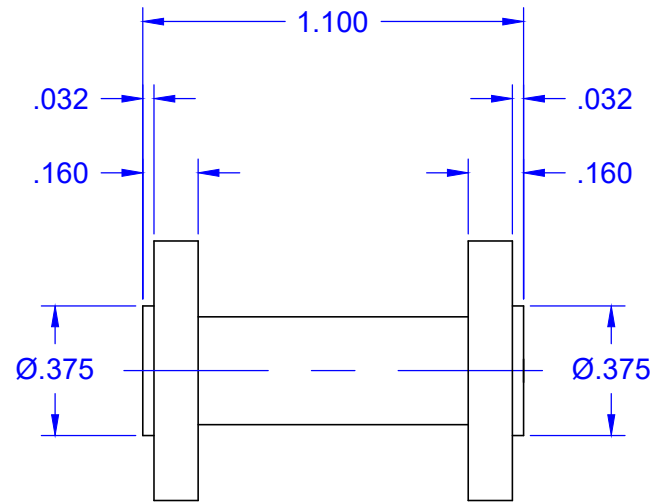
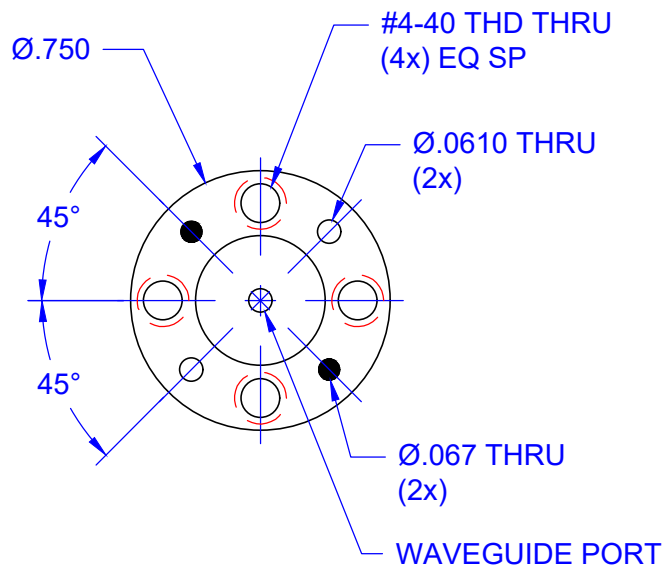


REVISIONS			
REV	DESCRIPTION	DATE	APPROVED
--	--	--	--



CIRCULAR WAVEGUIDE PORT INNER DIAMETER
0.067
0.075
0.082
0.094

QTY	PART NUMBER	MATERIAL: 1/2 HARD BRASS		ITEM
UNLESS OTHERWISE SPECIFIED		DESCRIPTION		
ALL SURFACES $\sqrt{32}$		THIRD ANGLE PROJECTION		Mi-Wave Millimeter Products Inc. TITLE
DIMENSIONS ARE IN INCHES		DRAFTING: K.S. APPROVED: M.S. DATE: 10/18/2017		282F-387 OUTLINE
TOLERANCES ARE:		SHEET NO. 1 OF 1		SIZE A DWG NO 25688
DECIMALS: .1234 +/- .0005				
.123 +/- .005				
.12 +/- .01				
ANGLES: +/- .5 DEGREES				
ALL THREADS TO BE 2A OR 2B				
REF DWG# --				
--				