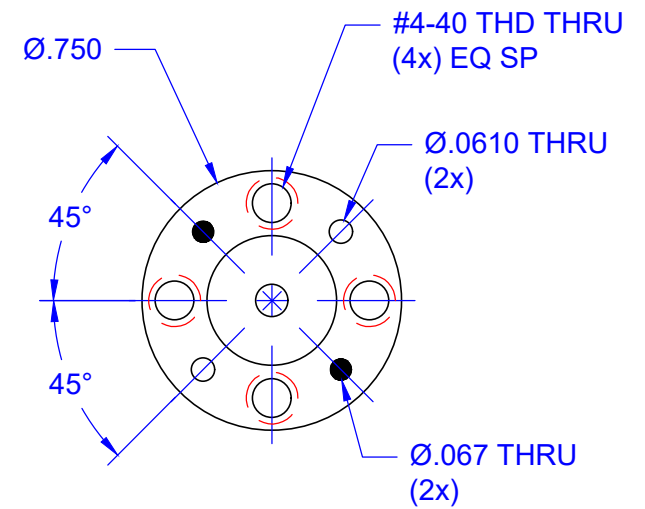
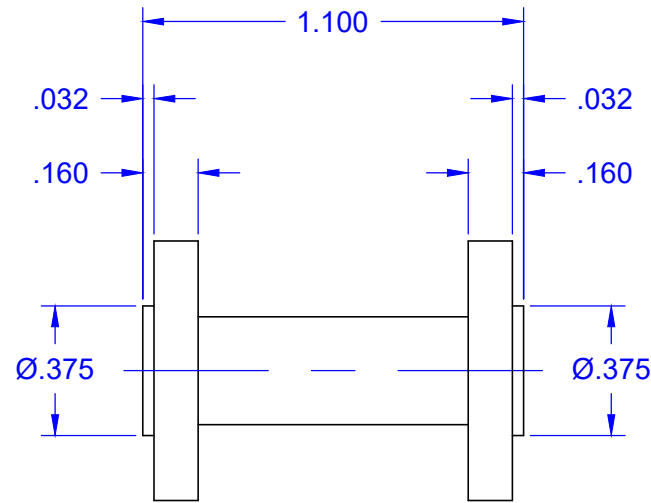
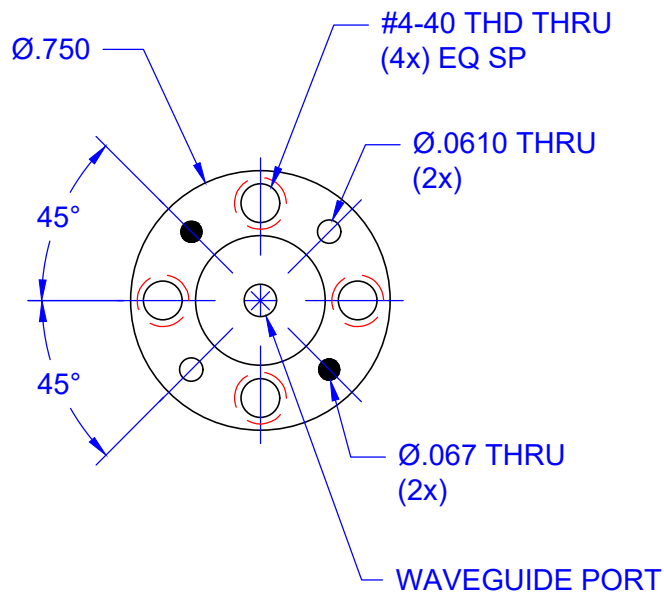


REVISIONS			
REV	DESCRIPTION	DATE	APPROVED
--	--	--	--



CIRCULAR WAVEGUIDE PORT INNER DIAMETER
0.094
0.110
0.125
0.141

QTY	PART NUMBER	MATERIAL: 1/2 HARD BRASS		ITEM
UNLESS OTHERWISE SPECIFIED		DESCRIPTION		
ALL SURFACES $\sqrt{32}$		 THIRD ANGLE PROJECTION		Mi-Wave Millimeter Products Inc.
DIMENSIONS ARE IN INCHES		DRAFTING: K.S. APPROVED: M.S. DATE: 10/18/2017		282E-387 OUTLINE
TOLERANCES ARE:		DECIMALS: .1234 +/- .0005 .123 +/- .005 .12 +/- .01 ANGLES: +/- .5 DEGREES		SIZE A DWG NO 25691
ALL THREADS TO BE 2A OR 2B		SHEET NO. 1 OF 1		
REF DWG# --				
--				