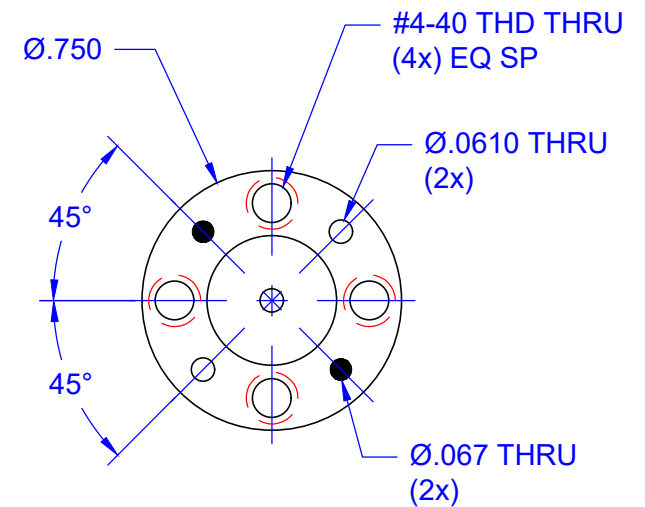
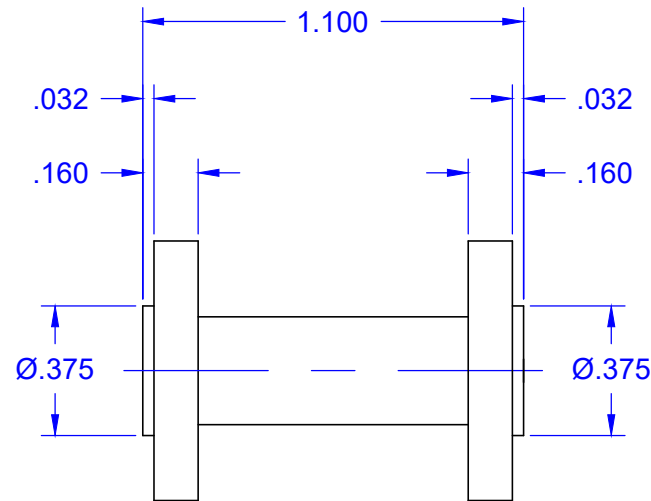
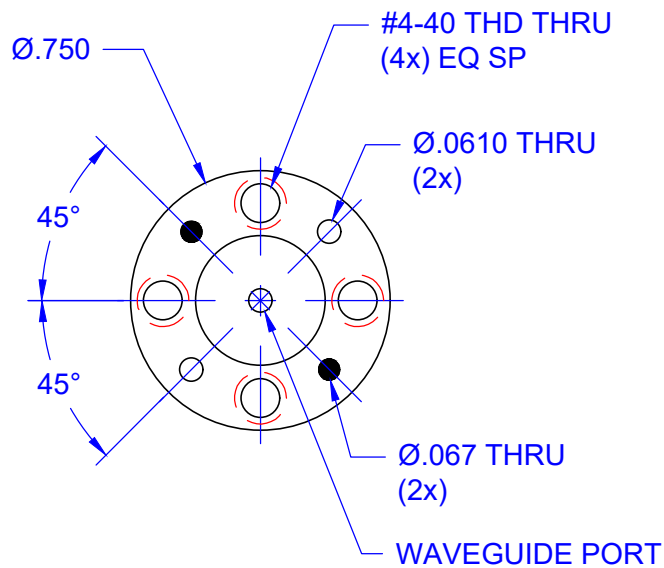


REVISIONS			
REV	DESCRIPTION	DATE	APPROVED
--	--	--	--



CIRCULAR WAVEGUIDE PORT INNER DIAMETER
0.059
0.067
0.082

QTY	PART NUMBER	MATERIAL: 1/2 HARD BRASS		ITEM
UNLESS OTHERWISE SPECIFIED		DESCRIPTION		
ALL SURFACES $\sqrt{32}$		 THIRD ANGLE PROJECTION		Mi-Wave Millimeter Products Inc.
DIMENSIONS ARE IN INCHES		DRAFTING: K.S. APPROVED: M.S.		TITLE 282D-387 OUTLINE
TOLERANCES ARE:		DATE: 10/18/2017		
DECIMALS: .1234 +/- .0005		SHEET NO.	OF	SIZE
.123 +/- .005		1	1	DWG NO
.12 +/- .01				A
ANGLES: +/- .5 DEGREES				25689
ALL THREADS TO BE 2A OR 2B				
REF DWG# --				
--				