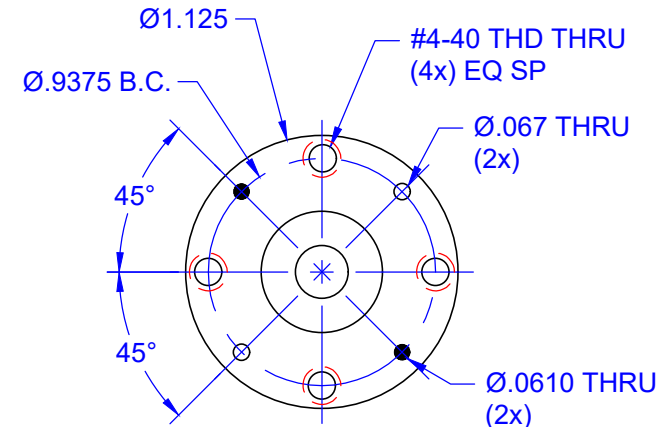
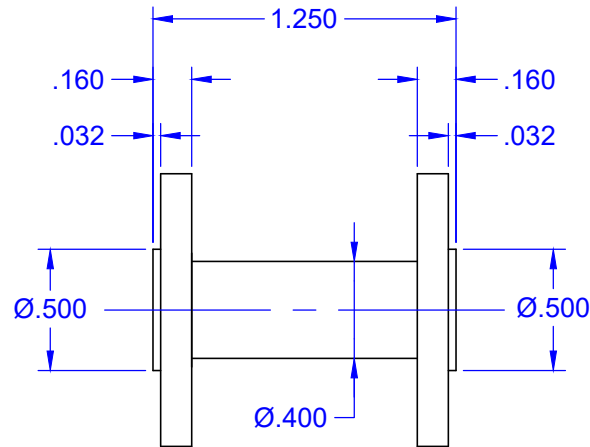
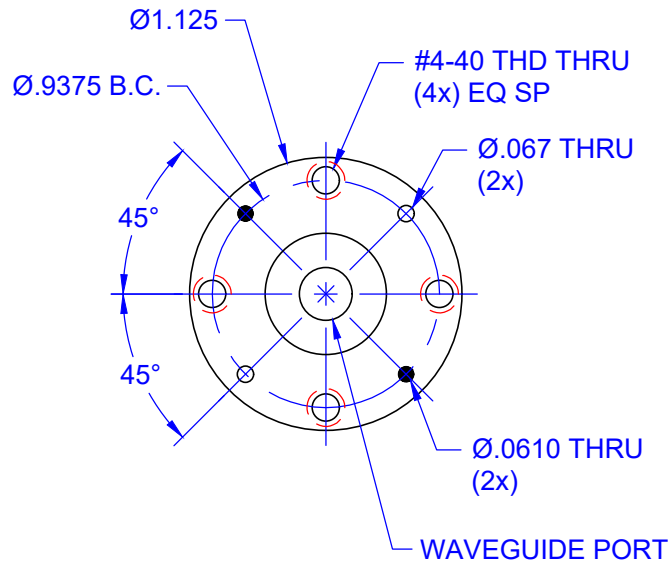


REVISIONS			
REV	DESCRIPTION	DATE	APPROVED
--	--	--	--



CIRCULAR WAVEGUIDE PORT INNER DIAMETER
0.188
0.219
0.250

--	--	MATERIAL: Ø1.125" BRASS		--
QTY	PART NUMBER	DESCRIPTION		ITEM
UNLESS OTHERWISE SPECIFIED		 THIRD ANGLE PROJECTION	Mi-Wave Millimeter Products Inc. 282B-383_OUTLINE	
ALL SURFACES $\sqrt{32}$				
DIMENSIONS ARE IN INCHES		DRAFTING: K.S.	TITLE 282B-383_OUTLINE	
TOLERANCES ARE:		APPROVED: M.S.		
DECIMALS: .1234 +/- .0005		DATE: 6/18/2018		
ANGLES: +/- .5 DEGREES		SHEET NO. 1	OF 1	SIZE A
ALL THREADS TO BE 2A OR 2B				DWG NO 25684
REF DWG# --				