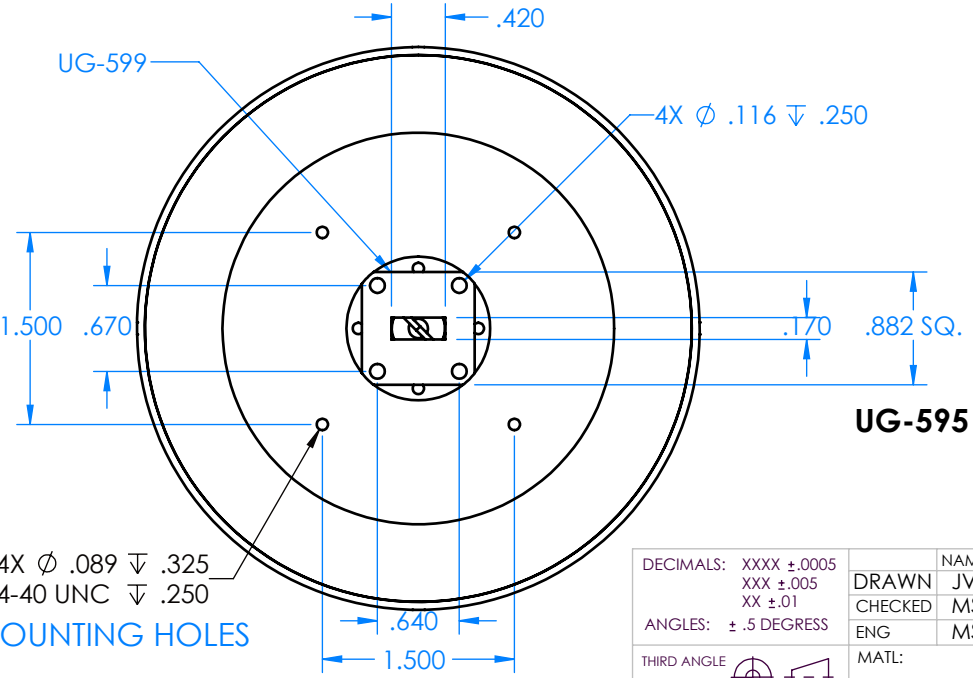
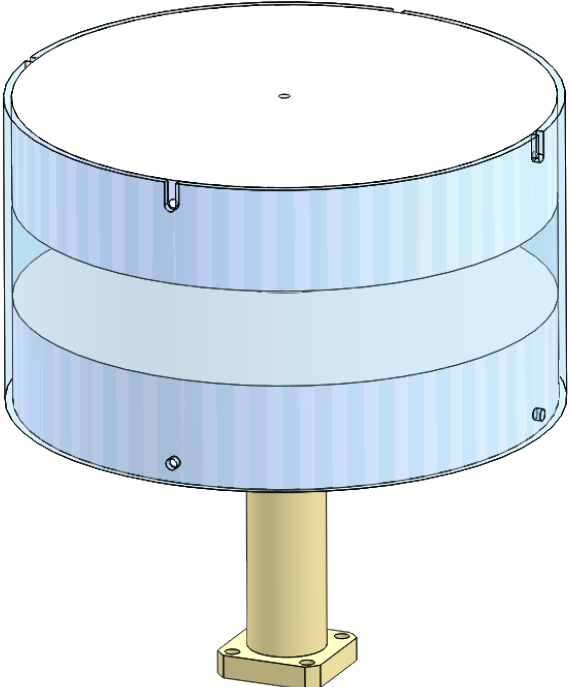
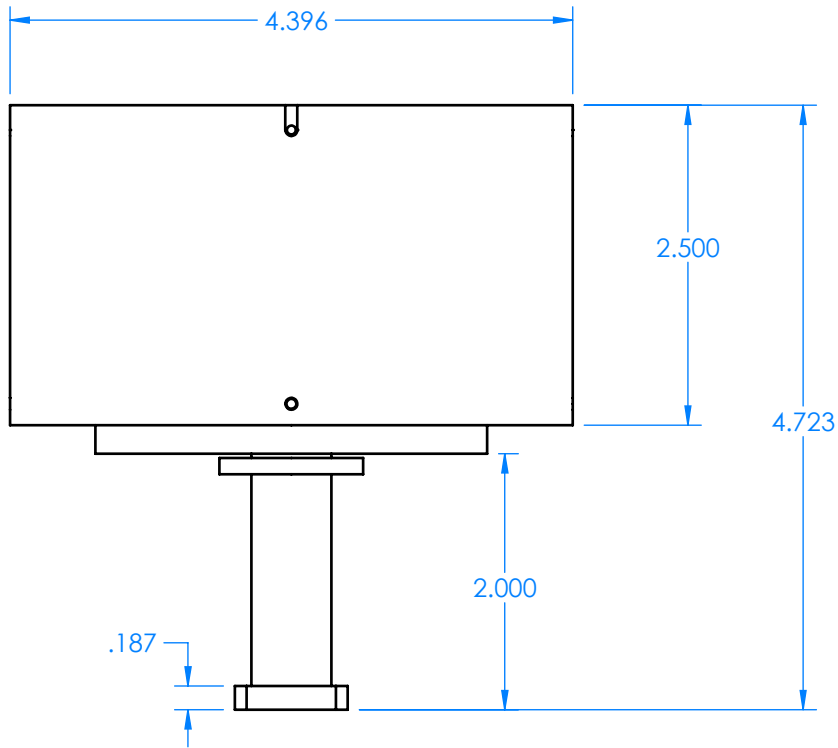


REVISIONS			
REV	DESCRIPTION	DATE	APPROVED
--	--	--	--



4X  $\phi$  .089  $\nabla$  .325  
 4-40 UNC  $\nabla$  .250  
**MOUNTING HOLES**

DECIMALS: XXXX $\pm$ .0005 XXX $\pm$ .005 XX $\pm$ .01	NAME	DATE
ANGLES: $\pm$ .5 DEGREE	DRAWN	JV 9-5-18
THIRD ANGLE PROJECTION	CHECKED	MS 9-5-18
	ENG	MS 9-5-18
	MATL:	

**FREQUENCY RANGE: 18-23GHz**

TITLE: Mi-Wave Millimeter Products Inc.		REV
SIZE: <b>A</b>	DWG. NO. 267K-19.5-595_OUTLINE_25162	
SCALE: 2:3	WEIGHT:	SHEET 1 OF 1