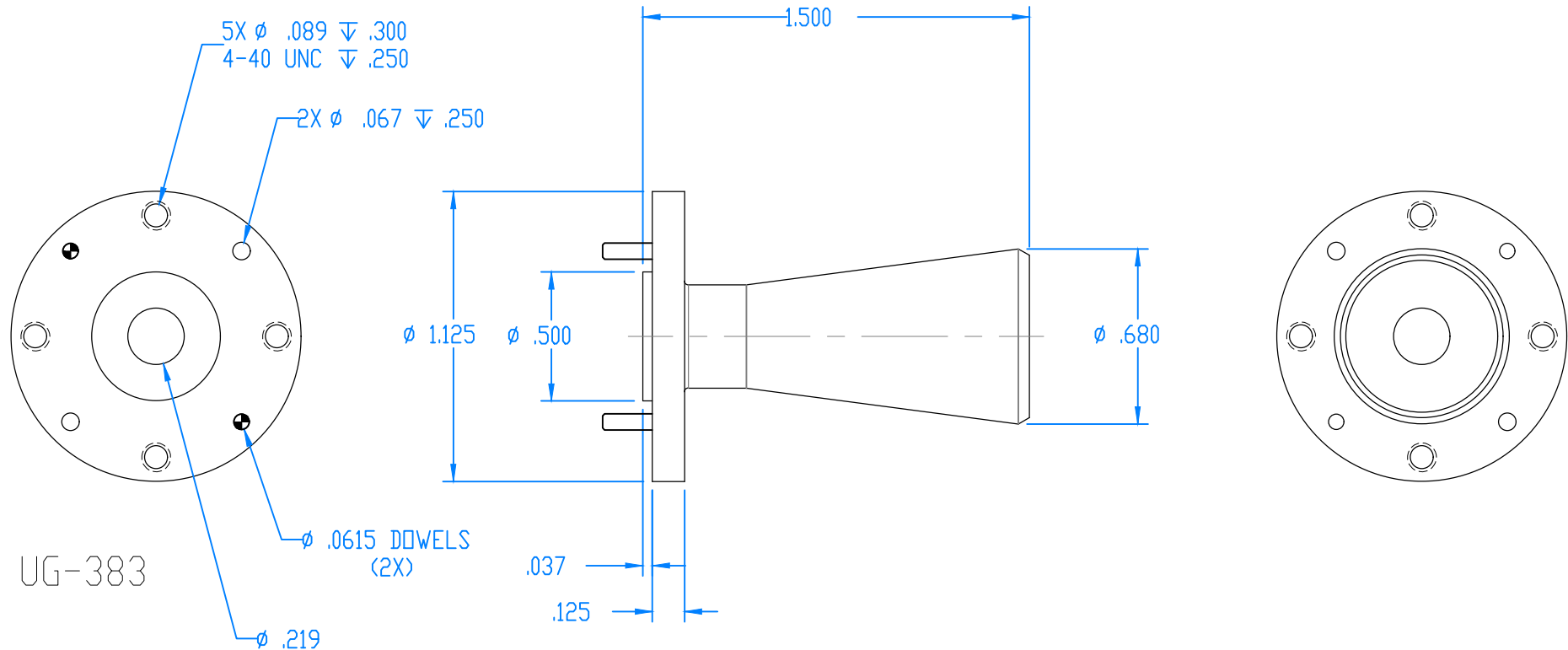


REVISIONS			
REV	DESCRIPTION	DATE	APPROVED
-	-	-	-



ALL DIMENSIONS  
ARE REFERENCE ONLY

DECIMALS: XXXX $\pm$ .0005 XXX $\pm$ .005 XX $\pm$ .01	ANGLES: $\pm$ 5 DEGREE	THIRD ANGLE PROJECTION	DRAWN: JV	CHECKED: MS	ENG: MS	NAME: MS	DATE: 8-8-18	TITLE: Mi-Wave Millimeter Products Inc.	SIZE: A	DWG. NO.: 262B-15-219-383_OUTLINE_24149	REV: -
MATERIAL: 1/2 HARD BRASS			SCALE: 3:2		WEIGHT:		SHEET 1 OF 1				