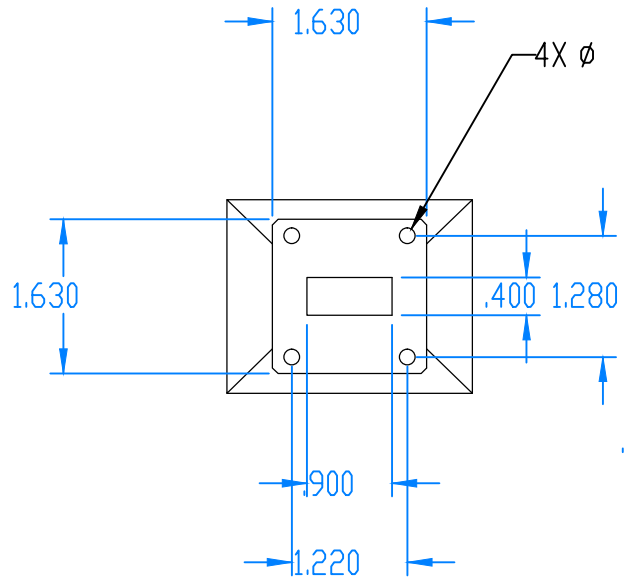
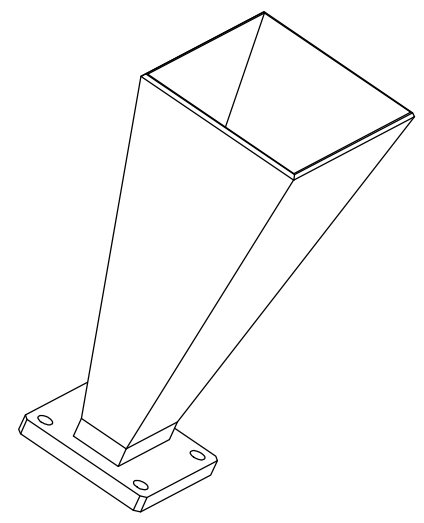
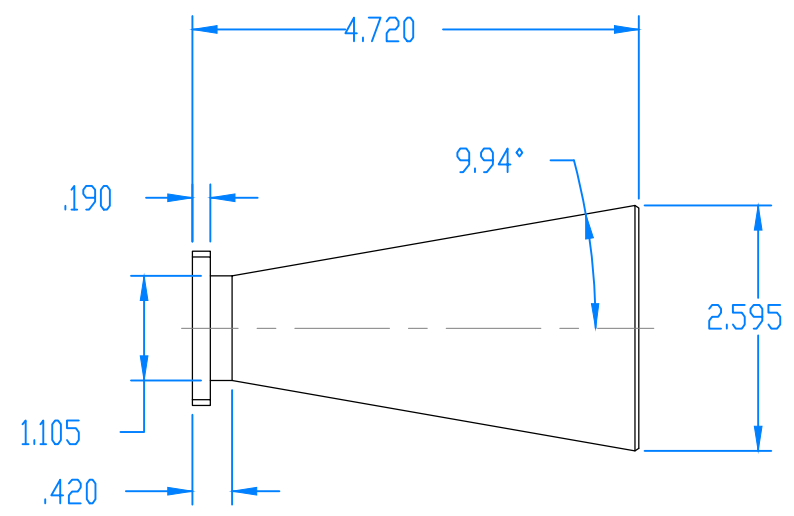
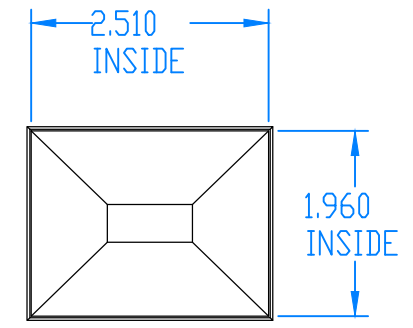
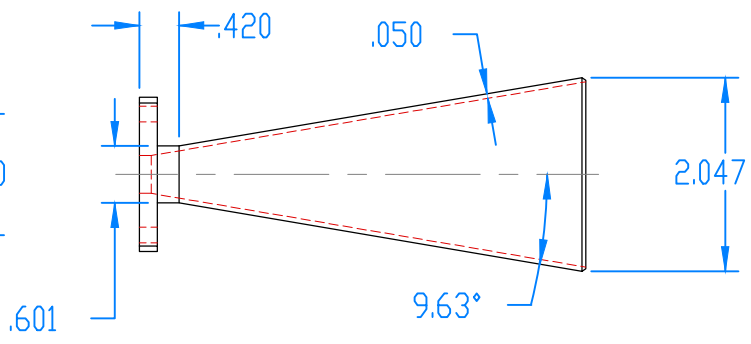


REVISIONS			
REV	DESCRIPTION	DATE	APPROVED
-	-	-	-



4X  $\phi$  .166  $\nabla$  .280



DECIMALS: XXXX $\pm$ .0005 XXX $\pm$ .005 XX $\pm$ .01 ANGLES: $\pm$ 5 DEGREESS	DRAWN: JV CHECKED: MS ENG: MS	NAME: MS DATE: 9-20-18	TITLE: Mi-Wave Millimeter Products Inc. SIZE: A DWG. NO.: 261X-15-39_20188	REV: -
	MATL: 6061 T6 ALUMINUM		SCALE: 1:2	WEIGHT:
	THIRD ANGLE PROJECTION		SHEET 1 OF 1	