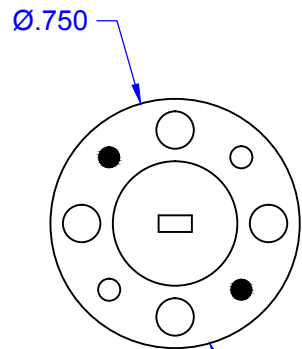
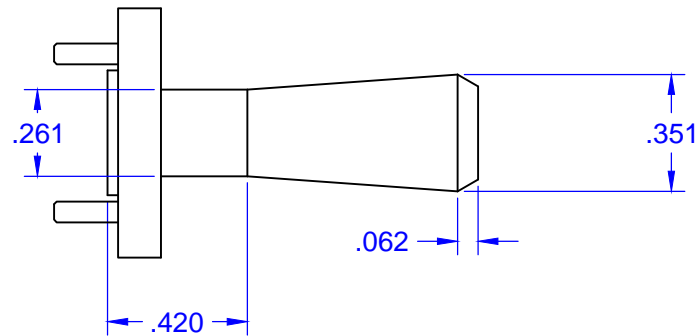
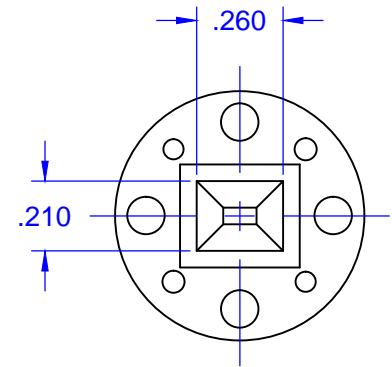
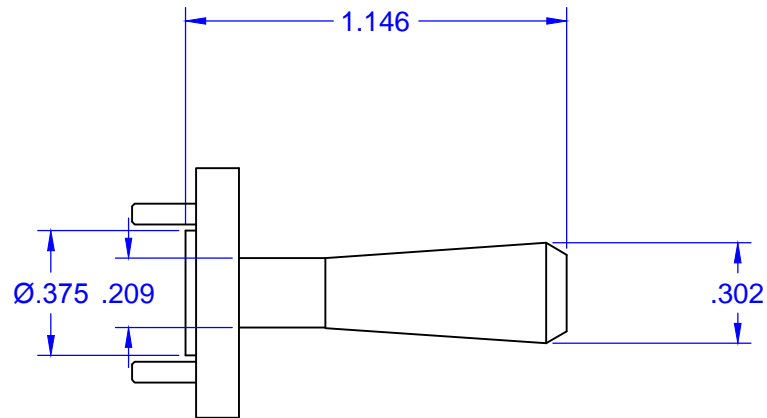


REVISIONS			
REV	DESCRIPTION	DATE	APPROVED
--	--	--	--



UG-387 FLANGE
WR-10 WAVEGUIDE



ALL DIMENSIONS ARE
REFERENCE ONLY

QTY	PART NUMBER	MATERIAL: 1/2 HARD BRASS		ITEM
UNLESS OTHERWISE SPECIFIED ALL SURFACES $\sqrt{32}$		 THIRD ANGLE PROJECTION		Mi-Wave Millimeter Products Inc. TITLE 261W-15/387 OUTLINE
DIMENSIONS ARE IN INCHES TOLERANCES ARE: DECIMALS: .1234 +/- .0005 .123 +/- .005 .12 +/- .01 ANGLES: +/- .5 DEGREES				
ALL THREADS TO BE 2A OR 2B		DATE: 6/5/2013		SIZE A
REF DWG# --	SHEET NO. 1	OF 1	DWG NO	20060
ORIGINAL DWG# 20026a				