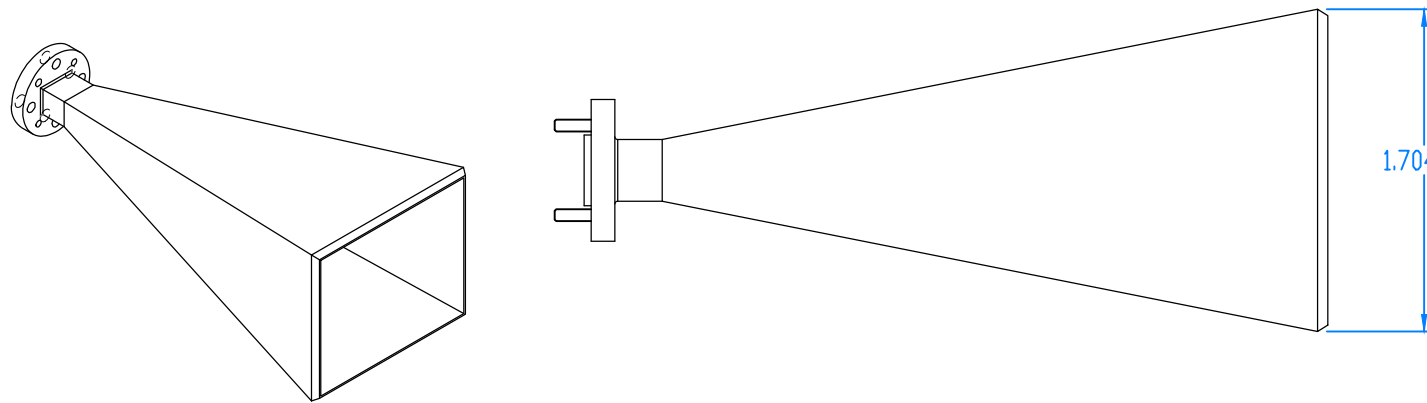
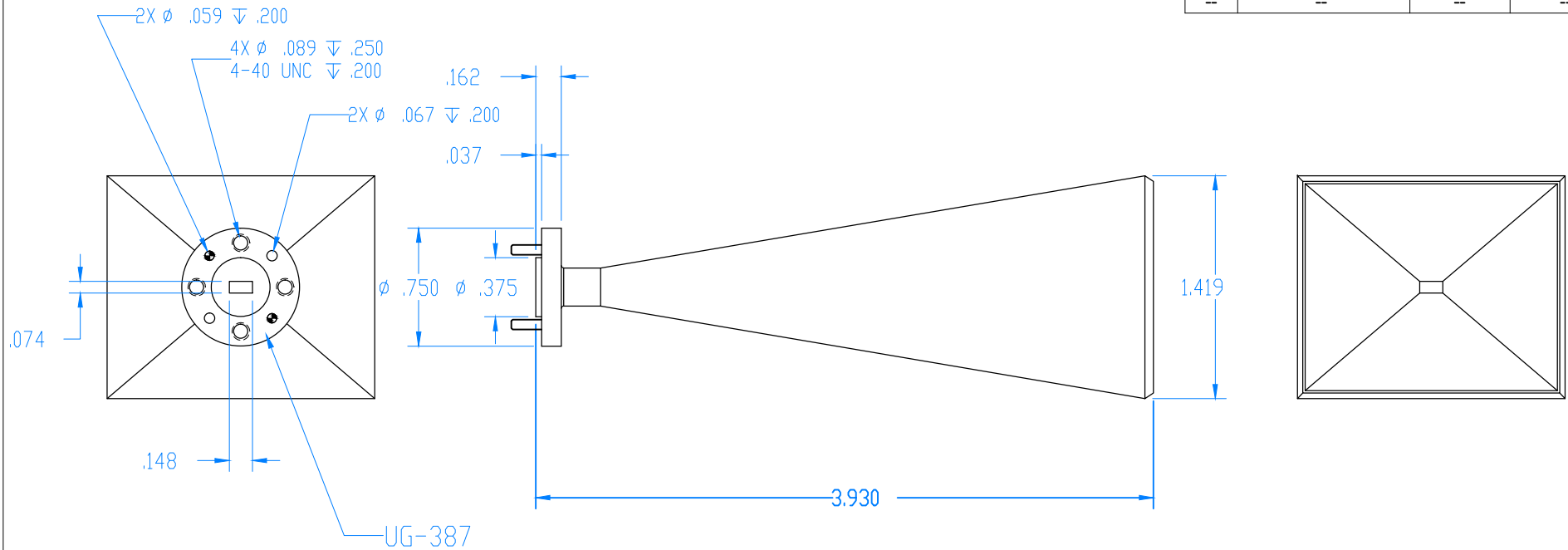


REVISIONS			
REV	DESCRIPTION	DATE	APPROVED
--	--	--	--



ALL DIMENSIONS ARE
REFERENCE ONLY

DECIMALS: XXXX \pm .0005 XXX \pm .005 XX \pm .01	DRAWN: JV	NAME: MS	DATE: 6-25-18	TITLE: Mi-Wave Millimeter Products Inc.	
ANGLES: \pm .5 DEGREE	CHECKED: MS	ENG: MS	DATE: 6-25-18	SIZE: A	DWG. NO. 261V-25-385_OUTLINE_24055
THIRD ANGLE PROJECTION	MATERIAL: 6061 T6 ALUMINUM		SCALE: 1:1	WEIGHT:	REV
					SHEET 1 OF 1