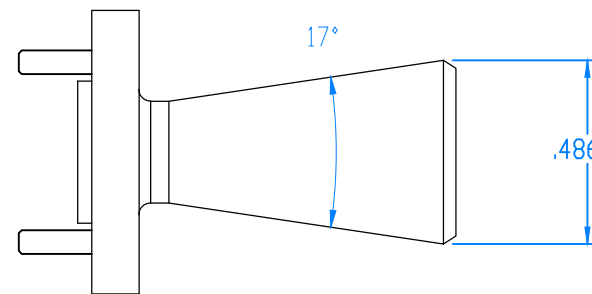
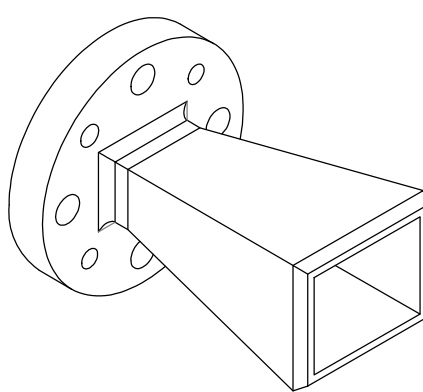
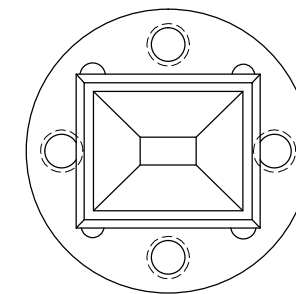
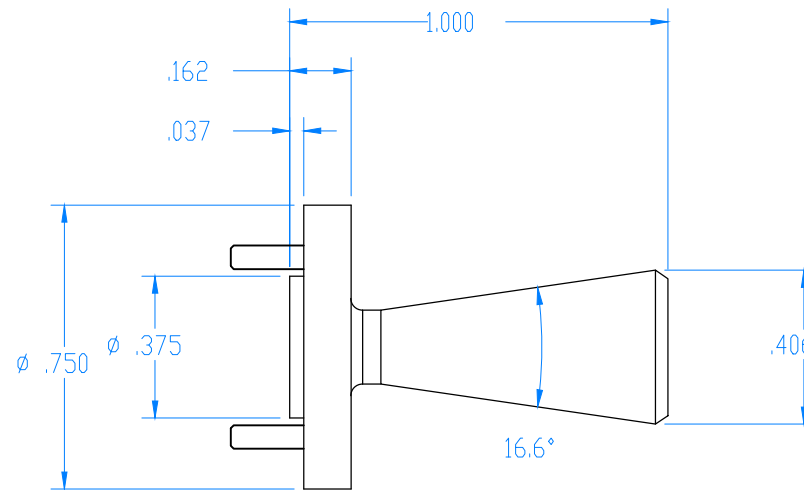
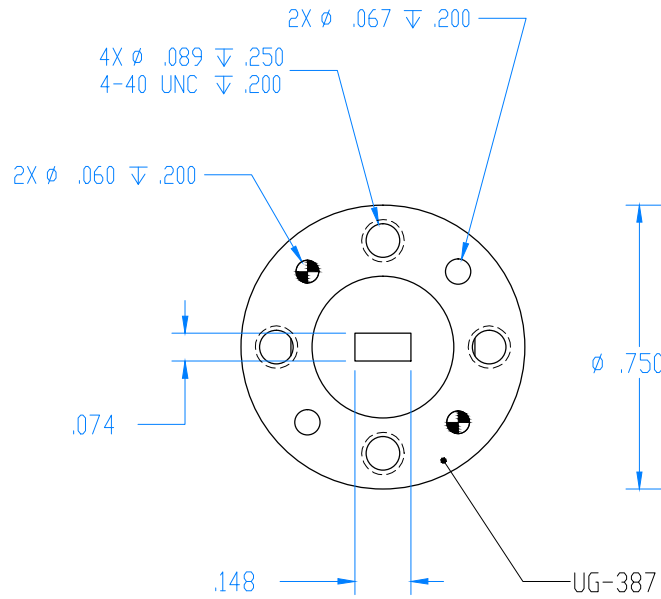


REVISIONS			
REV	DESCRIPTION	DATE	APPROVED
	.315 WAS .356		
A	.395 WAS .480	2-25-15	MS



ALL DIMENSION ARE REFERENCE ONLY

DECIMALS: XXXX ±.0005 XXX ±.005 XX ±.01	ANGLES: ± 5 DEGRESS	THIRD ANGLE PROJECTION	MATL: 1/2 HARD BRASS	<table border="1"> <tr> <td>DRAWN</td> <td>JV</td> <td>DATE</td> <td>2-24-15</td> </tr> <tr> <td>CHECKED</td> <td>MS</td> <td>DATE</td> <td>2-24-15</td> </tr> <tr> <td>ENG</td> <td>MS</td> <td>DATE</td> <td>2-24-15</td> </tr> </table>	DRAWN	JV	DATE	2-24-15	CHECKED	MS	DATE	2-24-15	ENG	MS	DATE	2-24-15	TITLE: Mi-Wave Millimeter Products Inc. SIZE DWG. NO. A 261V-15-385_OUTLINE_23476 SCALE: 2:1	REV A WEIGHT: SHEET 1 OF 1
DRAWN	JV	DATE	2-24-15															
CHECKED	MS	DATE	2-24-15															
ENG	MS	DATE	2-24-15															