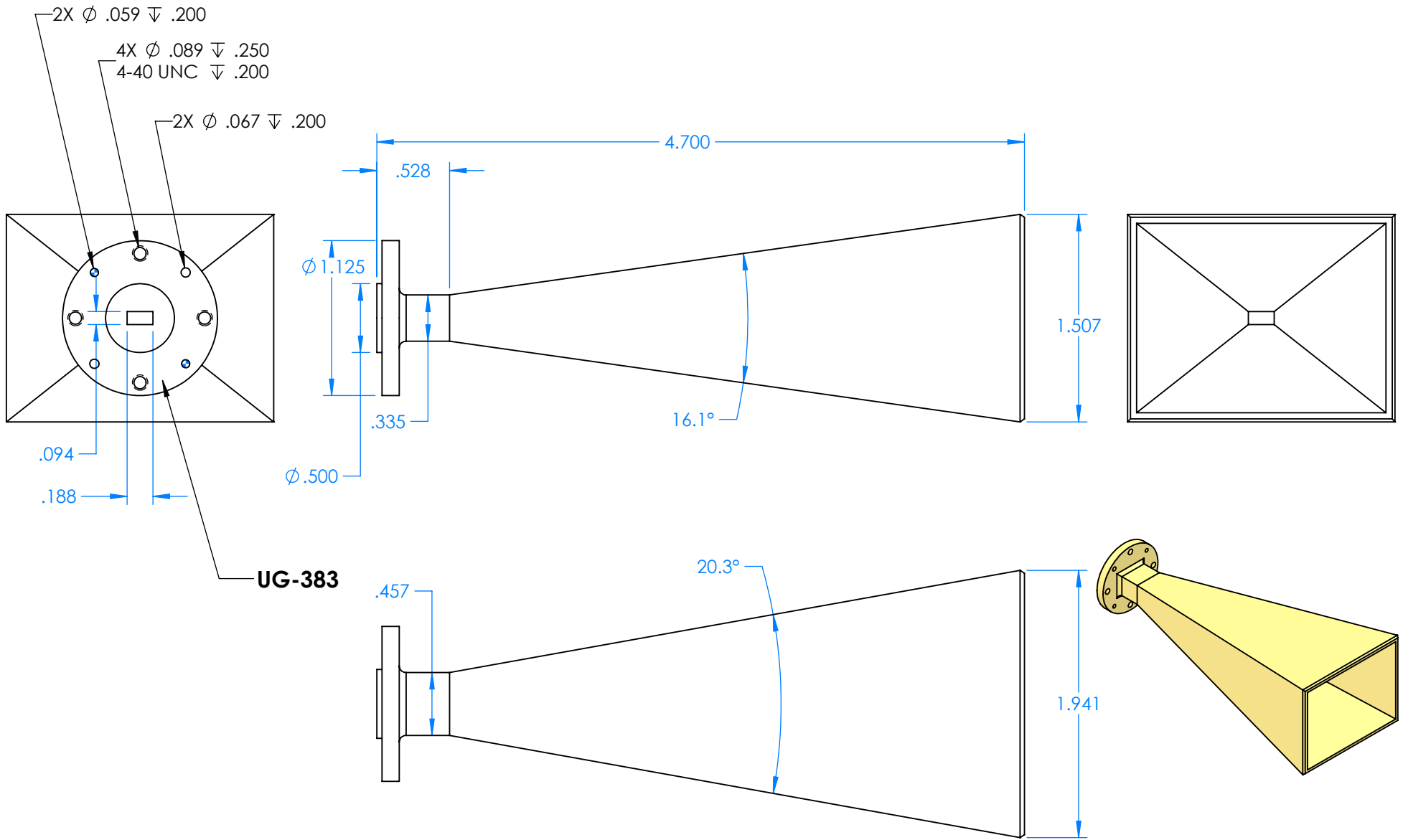


REVISIONS			
REV	DESCRIPTION	DATE	APPROVED
--	--	--	--



UG-383

**ALL DIMENSION ARE  
REFERENCE ONLY**

**ALIGNMENT PINS NOT SHOWN**

DECIMALS: XXXX ±.0005 XXX ±.005 XX ±.01	ANGLES: ± .5 DEGRESS	THIRD ANGLE PROJECTION	<table border="1"> <tr> <td>NAME</td> <td>DATE</td> </tr> <tr> <td>DRAWN JV</td> <td>9-28-16</td> </tr> <tr> <td>CHECKED MS</td> <td>9-28-16</td> </tr> <tr> <td>ENG MS</td> <td>9-28-16</td> </tr> </table>	NAME	DATE	DRAWN JV	9-28-16	CHECKED MS	9-28-16	ENG MS	9-28-16	TITLE: <b>Mi-Wave Millimeter Products Inc.</b> SIZE DWG. NO. <b>A</b> 261U-25-383_OUTLINE_24053 SCALE: 1:1	REV WEIGHT: SHEET 1 OF 1
NAME	DATE												
DRAWN JV	9-28-16												
CHECKED MS	9-28-16												
ENG MS	9-28-16												
MATERIAL: <b>6061 T6 ALUMINUM</b>													