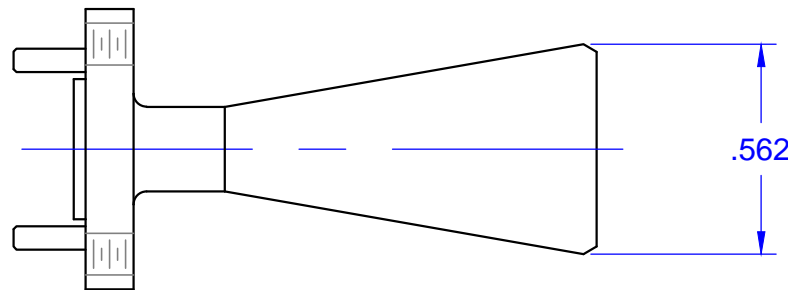
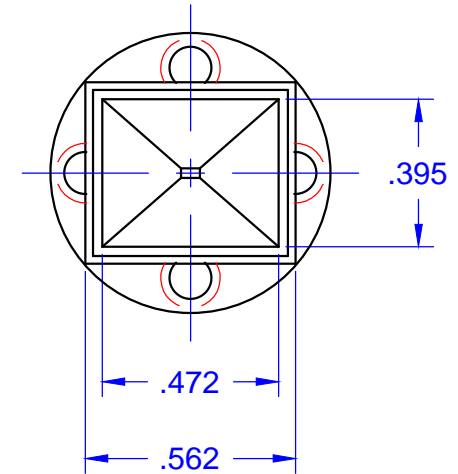
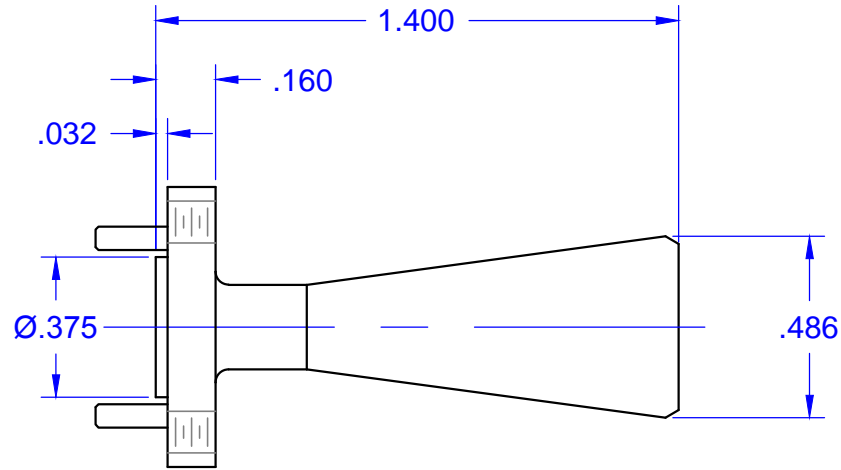
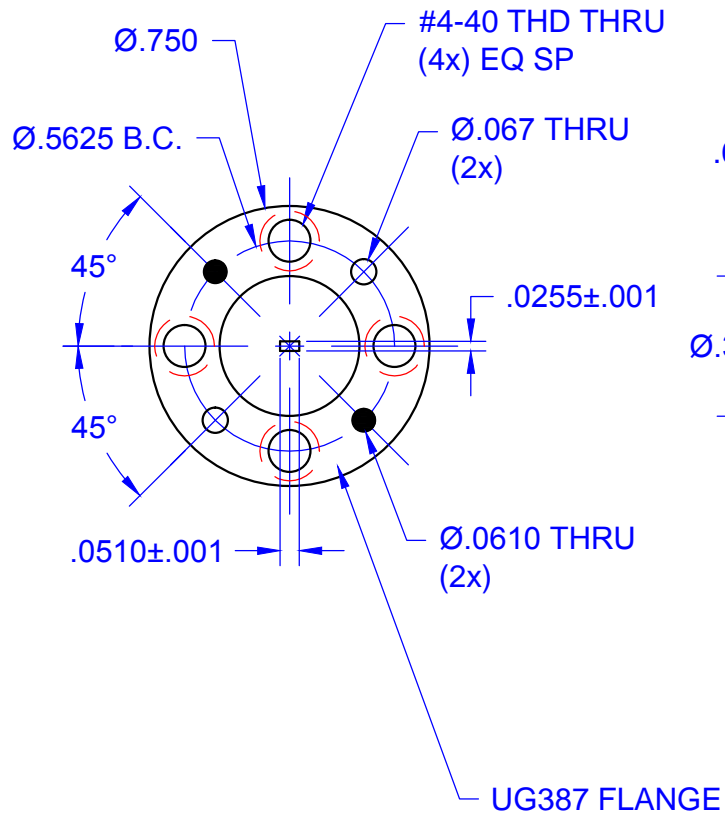


REVISIONS			
REV	DESCRIPTION	DATE	APPROVED
--	--	--	--



ALL DIMENSIONS ARE REFERENCE ONLY

QTY	PART NUMBER	MATERIAL: 1/2 HARD BRASS		ITEM
		DESCRIPTION		
UNLESS OTHERWISE SPECIFIED ALL SURFACES $\sqrt{32}$		 THIRD ANGLE PROJECTION		Mi-Wave Millimeter Products Inc. 261G-25/387 OUTLINE
DIMENSIONS ARE IN INCHES TOLERANCES ARE: DECIMALS: .1234 +/- .0005 .123 +/- .005 .12 +/- .01 ANGLES: +/- .5 DEGREES		DRAFTING: JV APPROVED: M.S. DATE: 2-2-17		
ALL THREADS TO BE 2A OR 2B		SHEET NO.	OF	
REF DWG# --		1	1	DWG NO 21552