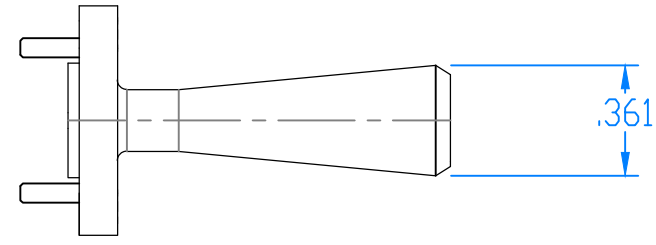
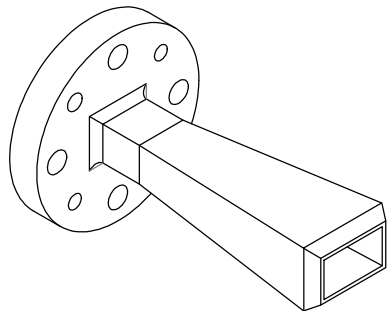
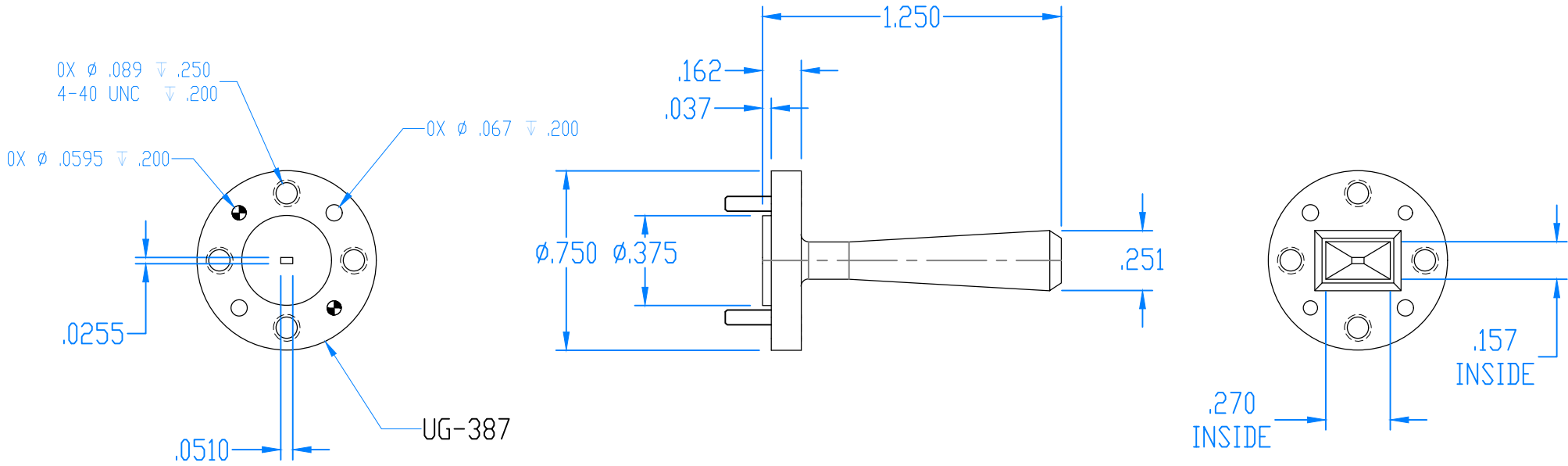


| REVISIONS |             |      |          |
|-----------|-------------|------|----------|
| REV       | DESCRIPTION | DATE | APPROVED |
| -         | -           | -    | -        |



ALL DIMENSIONS ARE  
REFERENCE ONLY

|   |                        |            |               |   |                             |
|---|------------------------|------------|---------------|---|-----------------------------|
| DECIMALS: XXXX ±.0005<br>XXX ±.005<br>XX ±.01 | DRAWN: JV              | NAME: MS   | DATE: 7-27-18 | TITLE: Mi-Wave Millimeter Products Inc. | REV: -                      |
| ANGLES: ± .5 DEGREE                           | CHECKED: MS            | ENG: MS    | DATE: 7-27-18 | SIZE: A                                 | DWG. NO.: 261G-20-387_24107 |
| THIRD ANGLE PROJECTION                        | MATL: 6061 T6 ALUMINUM | SCALE: 1:1 | WEIGHT:       | SHEET 1 OF 1                            |                             |