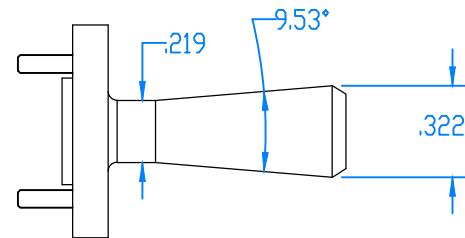
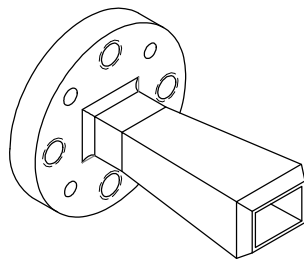
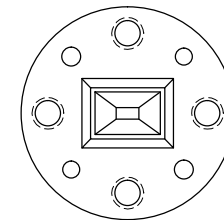
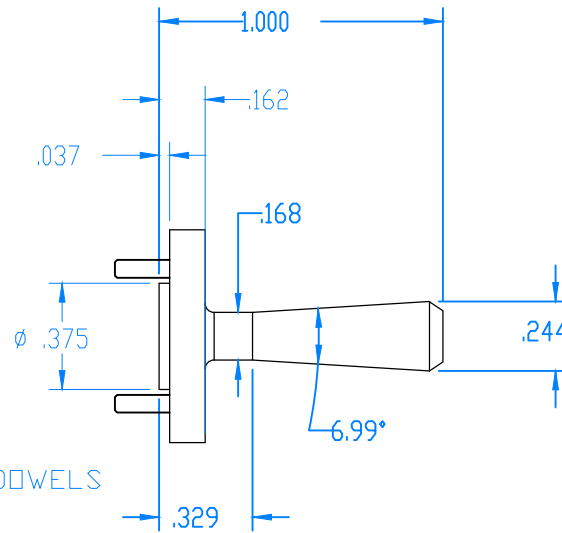
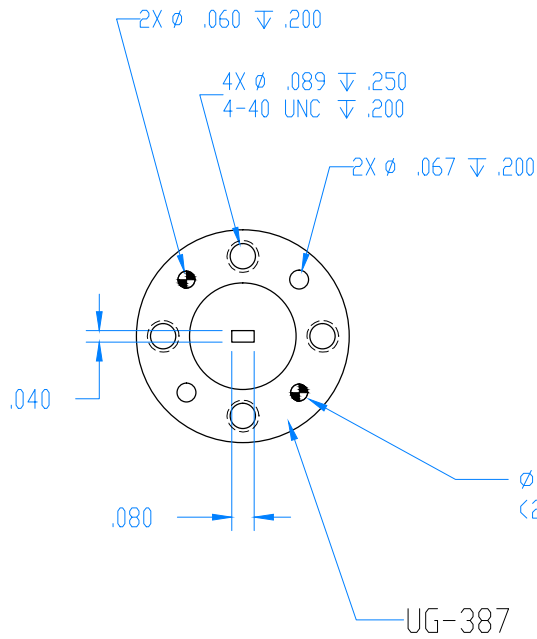


REVISIONS			
REV	DESCRIPTION	DATE	APPROVED
A	CORRECT GEOMETRY	10-9-18	MS
B	REDESIGN	10-24-18	MS



ALL DIMENSIONS ARE
 REFERENCE ONLY

DECIMALS: XXXX \pm .0005 XXX \pm .005 XX \pm .01 ANGLES: \pm 5 DEGREE	DRAWN	JV	DATE	10-24-18	TITLE: Millimeter Wave Products Inc.		REV	
	CHECKED	MS	DATE	10-24-18	SIZE	DWG. NO.	B	
	ENG	MS	DATE	10-24-18	A	261F-15-387_OUTLINE_24044		
THIRD ANGLE PROJECTION	MATERIAL: 1/2 HARD BRASS			SCALE: 3:2	WEIGHT:	SHEET 1 OF 1		