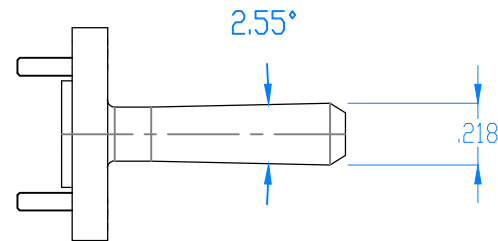
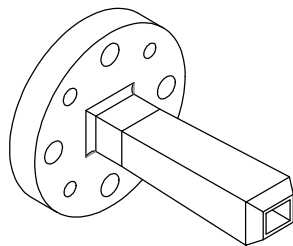
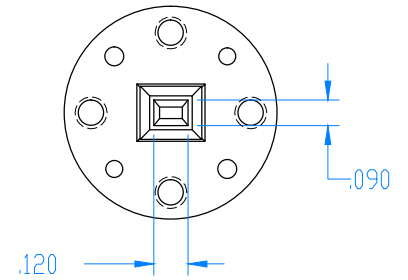
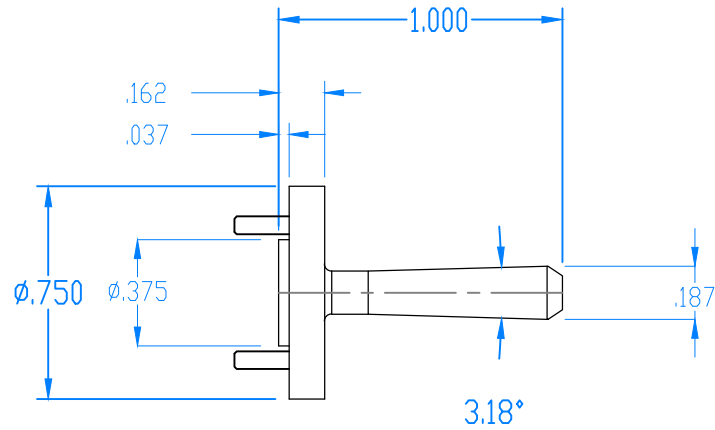
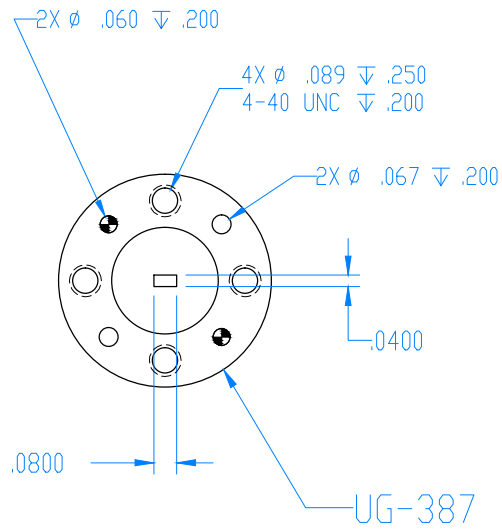


REVISIONS			
REV	DESCRIPTION	DATE	APPROVED
-	-	-	-



ALL DIMENSIONS ARE  
 REFERENCE ONLY

DECIMALS: XXXX ±.0005 XXX ±.005 XX ±.01	DRAWN: JV CHECKED: MS ENG: MS	NAME: MS DATE: 7-27-18	TITLE: Mi-Wave Millimeter Products Inc.	SIZE: A	DWG. NO.: 261F-10-387_24102	REV: -
ANGLES: ±.5 DEGREE	MATL: 6061 T6 ALUMINUM	SCALE: 3:2	WEIGHT:	SHEET 1 OF 1		