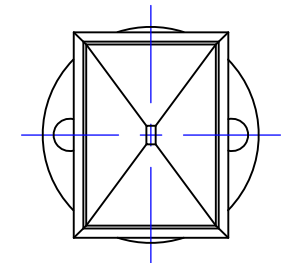
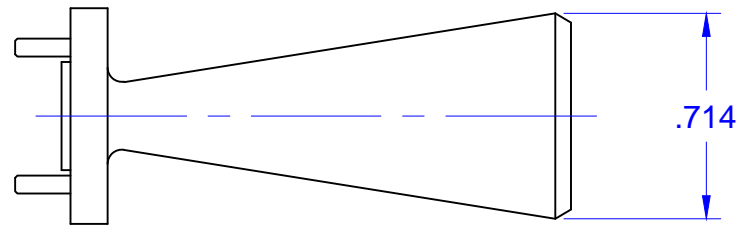
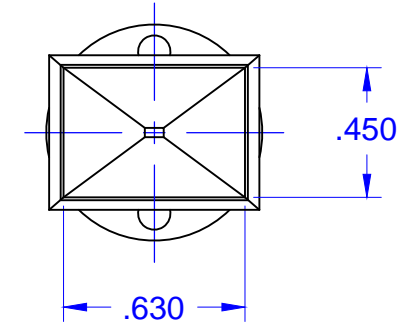
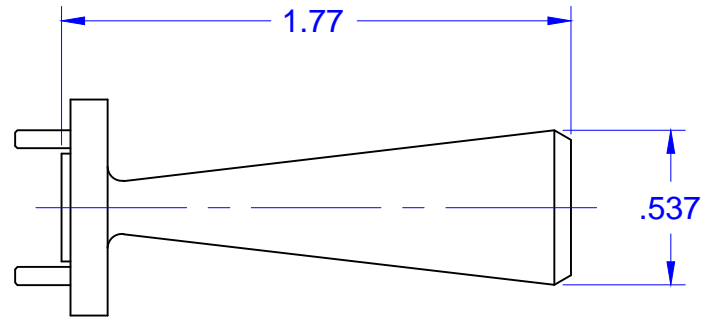
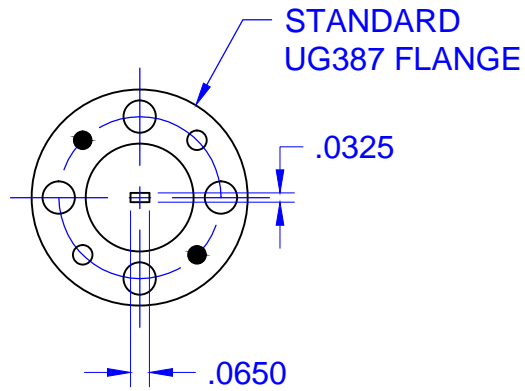


REVISIONS			
REV	DESCRIPTION	DATE	APPROVED
--	--	--	--



ALL DIMENSIONS ARE
REFERENCE ONLY

QTY	PART NUMBER	OUTLINE DESCRIPTION		ITEM
		Mi-Wave Millimeter Products Inc.		
UNLESS OTHERWISE SPECIFIED ALL SURFACES $\sqrt{32}$		THIRD ANGLE PROJECTION		TITLE
DIMENSIONS ARE IN INCHES TOLERANCES ARE: DECIMALS: .1234 +/- .0005 .123 +/- .005 .12 +/- .01 ANGLES: +/- .5 DEGREES		DRAFTING: MRN APPROVED: M.S. DATE: 6/6/2011		261D-25/387 OUTLINE
ALL THREADS TO BE 2A OR 2B		SHEET NO. 1	OF 1	SIZE A
REF DWG# --				DWG NO 21001