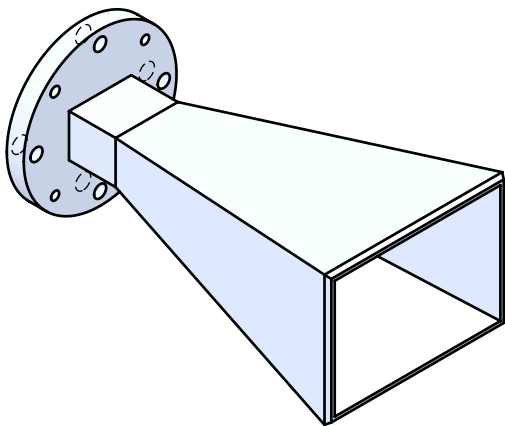
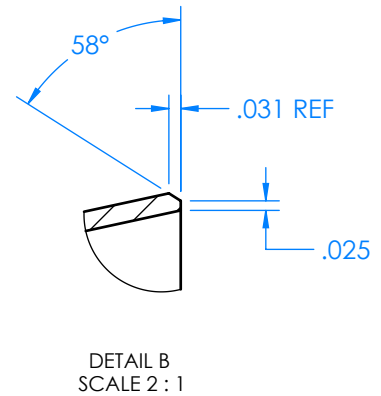
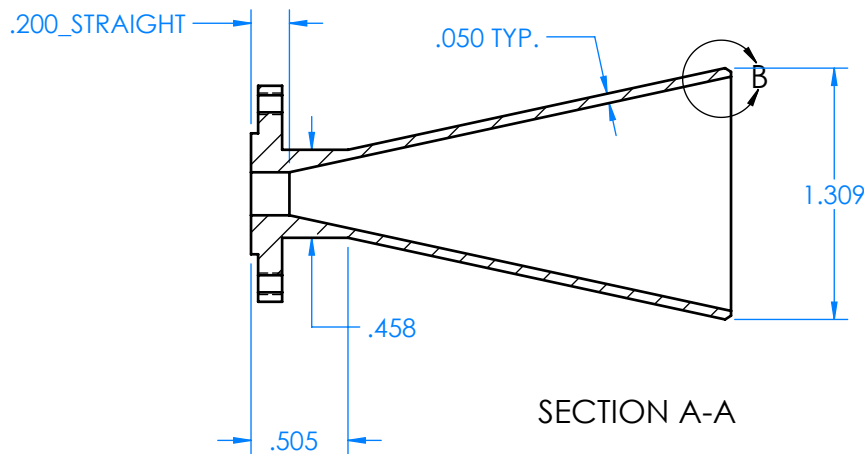
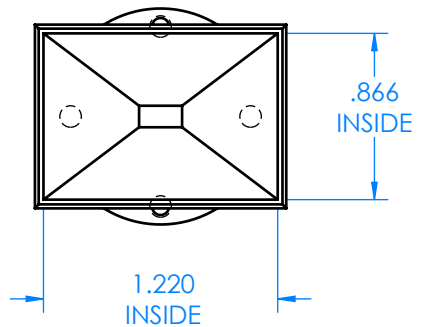
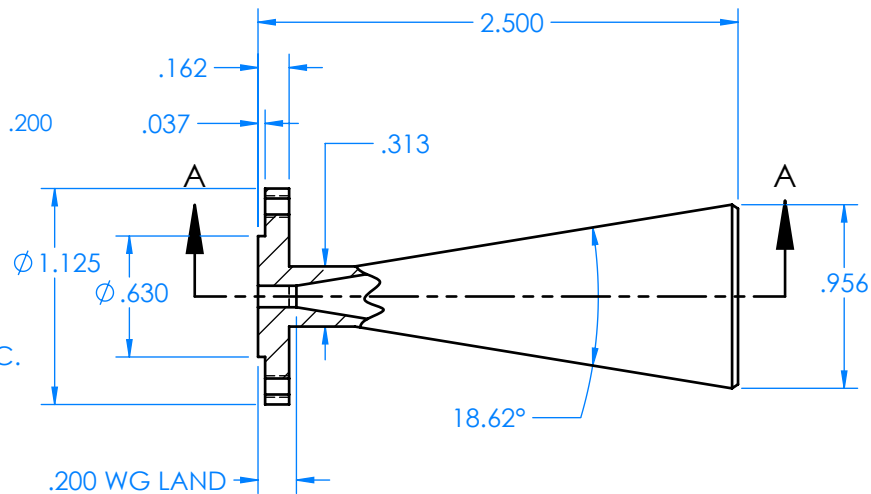
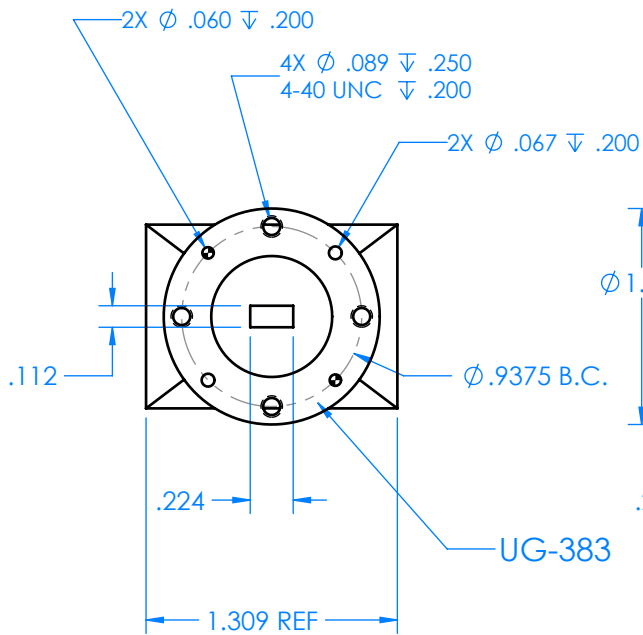


REVISIONS			
REV	DESCRIPTION	DATE	APPROVED
--	--	--	--



20 db GAIN

DECIMALS: XXXX ±.0005 XXX ±.005 XX ±.01	NAME DRAWN JV	DATE 7-15-15
ANGLES: ± .5 DEGREE	CHECKED MS	7-15-15
THIRD ANGLE PROJECTION	ENG MS	7-15-15
	MATL: 6061 T6 ALUMINUM	

TITLE: Mi-Wave Millimeter Products Inc.	REV
SIZE DWG. NO. A 261B-20-383 MACHINING_22939	
SCALE: 1:1	SHEET 1 OF 1
WEIGHT:	