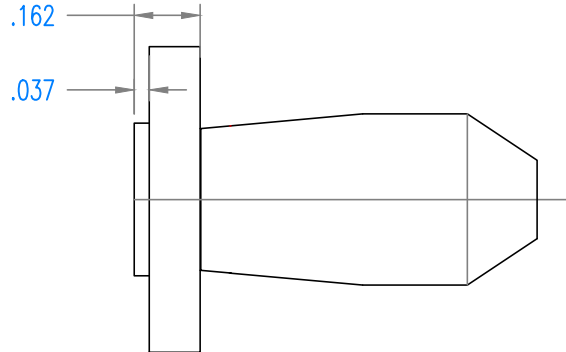
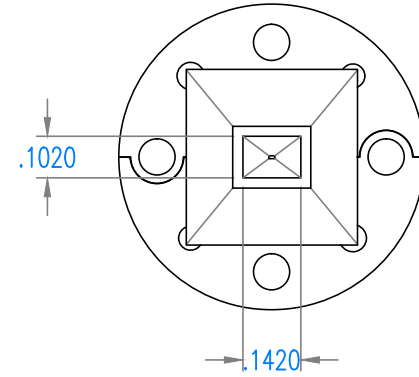
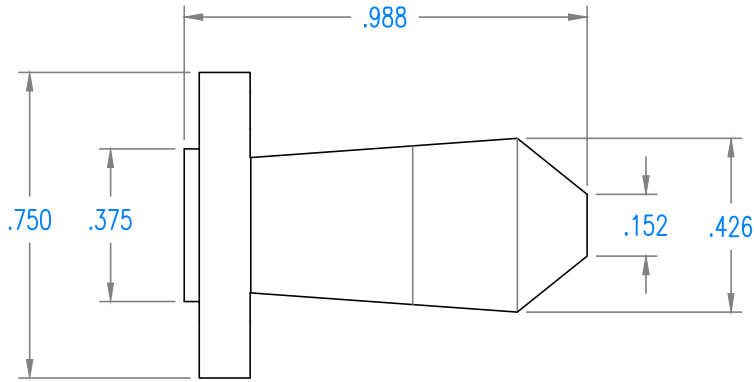
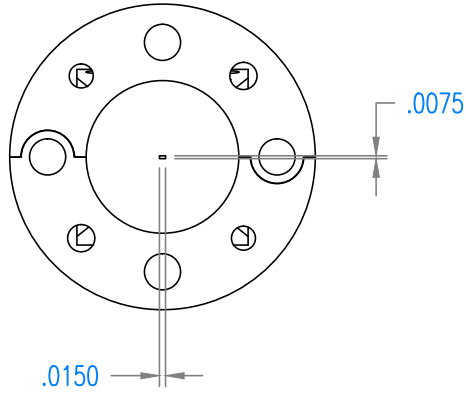
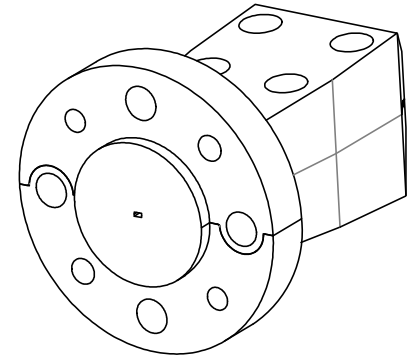
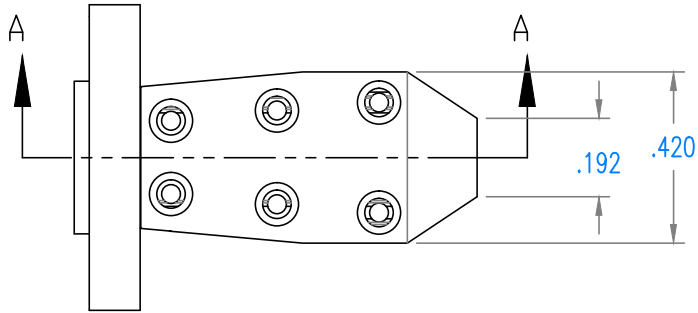
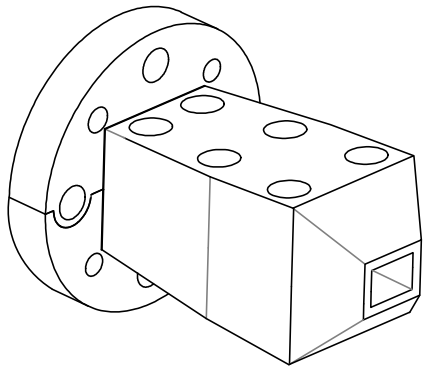


|  |  |  |  |
|--|--|--|--|
|  |  |  |  |
|  |  |  |  |



UG-387

|   |                          |   |         |
|---|--------------------------|---|---------|
| DECIMALS: XXXX ±.0005<br>XXX ±.005<br>XX ±.01<br>ANGLES: ± 5 DEGREE<br>THIRD ANGLE PROJECTION | NAME: JV<br>DATE: 5-4-20 | TITLE: Millimeter Wave Products Inc.              |         |
|   | CHECKED: MS<br>ENG: MS   | SIZE: A<br>DWG. NO.: 261-1.5-25-387_OUTLINE_25265 | REV:    |
|   | MATL: 1-2 HARD BRASS     | SCALE: 2:1  | WEIGHT: |