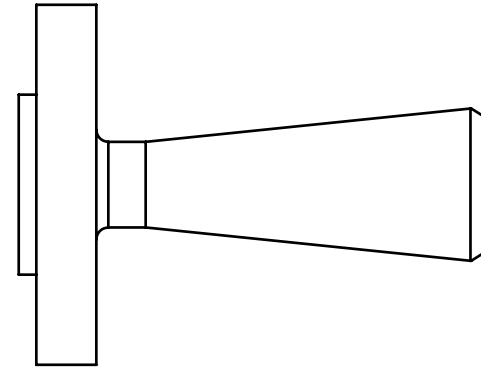
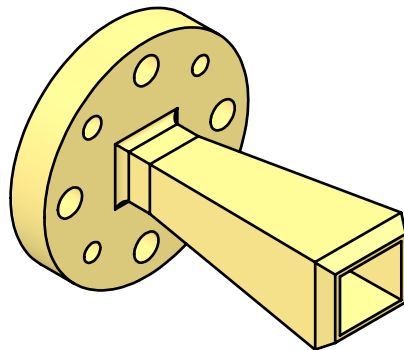


4X Ø .089 ± .250
 4-40 UNC ± .200
 2X Ø .0670 ± .200



**ALL DIMENSIONS ARE
REFERENCE ONLY**

DECIMALS: XXXX ±.0005 XXX ±.005 XX ±.01 ANGLES: ± .5 DEGREE	DRAWN JV 4-4-18 CHECKED MS 4-4-18 ENG MS 4-4-18	NAME DATE MATERIAL: 1/2 HARD BRASS	TITLE: Mi-Wave Millimeter Products Inc.	SIZE DWG. NO. 261 (2.8)-25-387_OUTLINE_24041	REV
THIRD ANGLE PROJECTION			A	SCALE: 5:2	WEIGHT: SHEET 1 OF 1