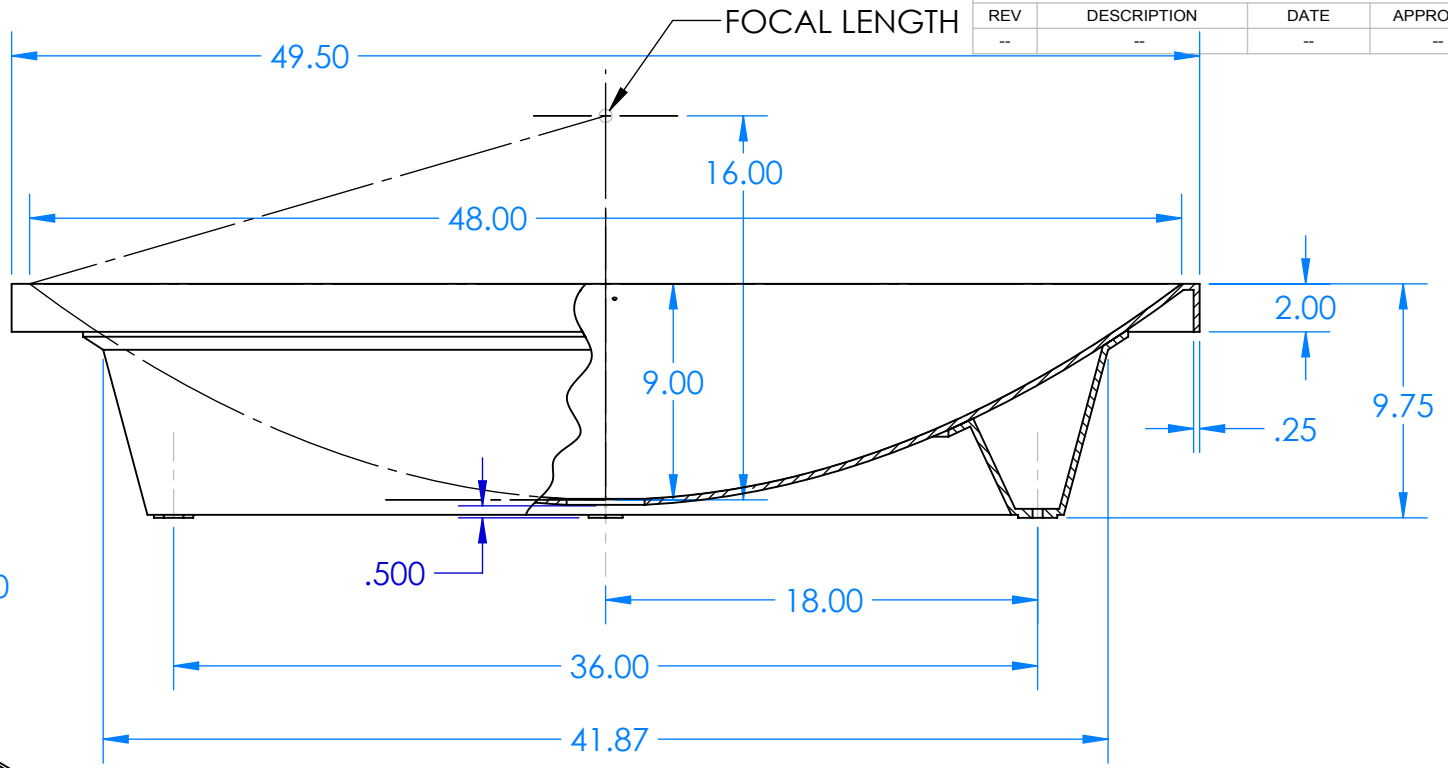
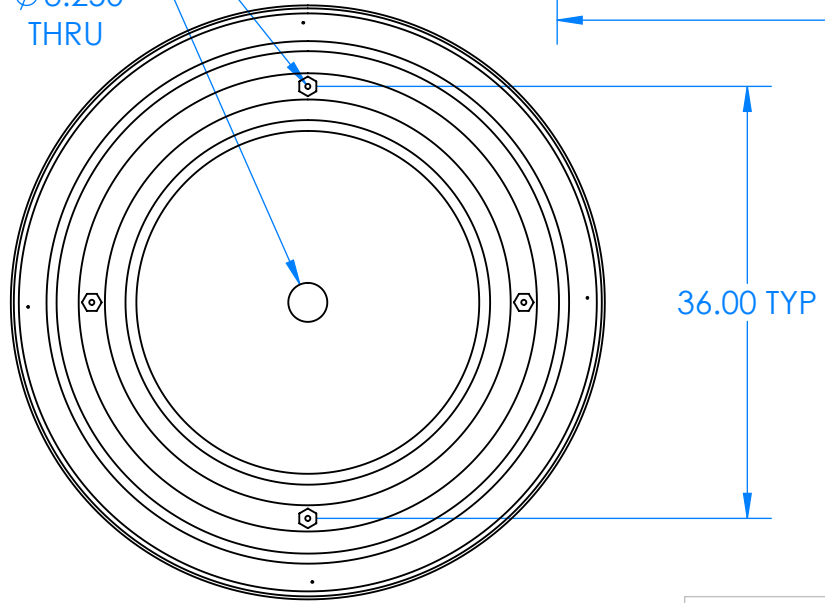


REVISIONS			
REV	DESCRIPTION	DATE	APPROVED
--	--	--	--

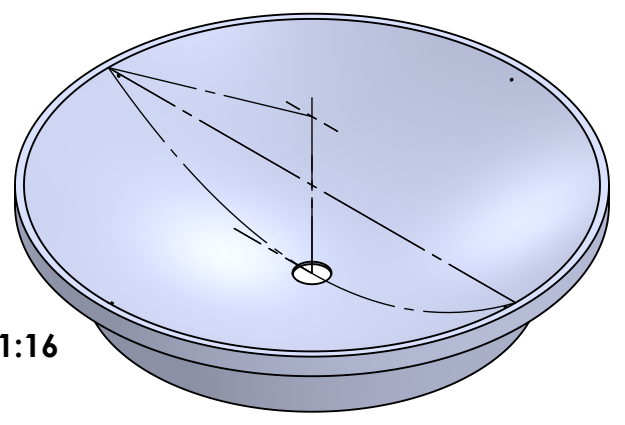


4X ϕ .422 ∇ .500
1/2-13 UNC ∇ .500

ϕ 3.250
THRU



BOTTOM VIEW
SCALE 1:16



SCALE 1:16

DECIMALS: XXXX \pm .0005 XXX \pm .005 XX \pm .01	ANGLES: \pm .5 DEGREE	THIRD ANGLE PROJECTION	DRAWN: JV CHECKED: MS ENG: MS	NAME: MS DATE: 8-21-13	TITLE: Mi-Wave Millimeter Products Inc.	SIZE: A	DWG. NO.	REV
MATERIAL: FIBERGLASS			SCALE: 1:8		WEIGHT:		R48 Assem1	
								SHEET 1 OF 1