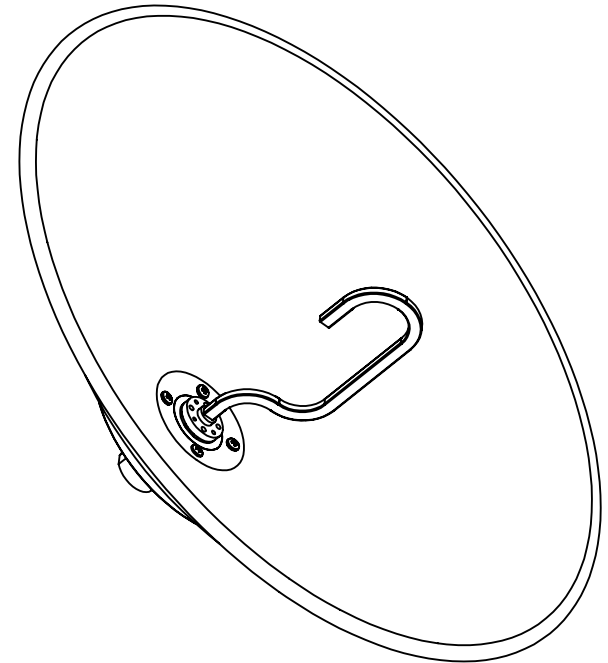
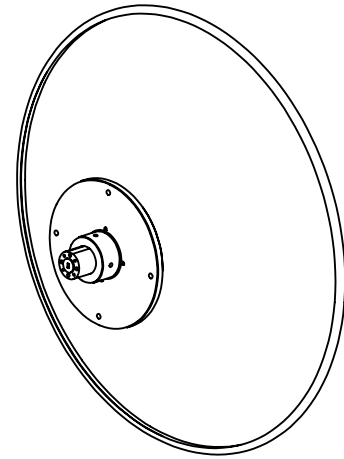
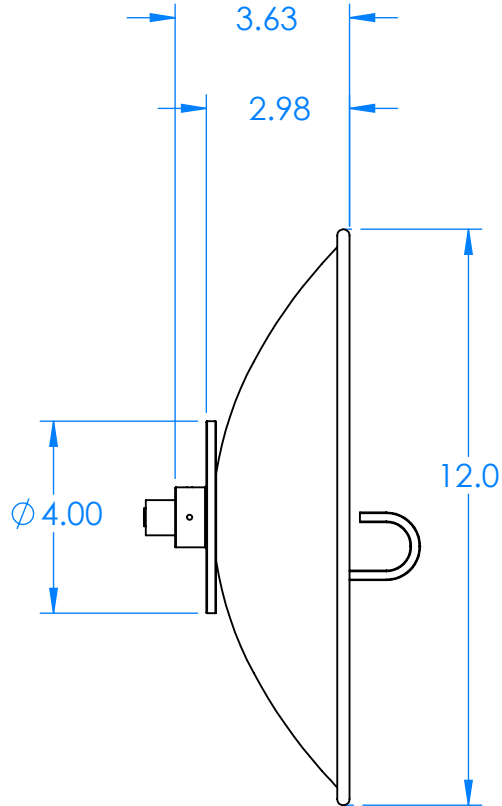
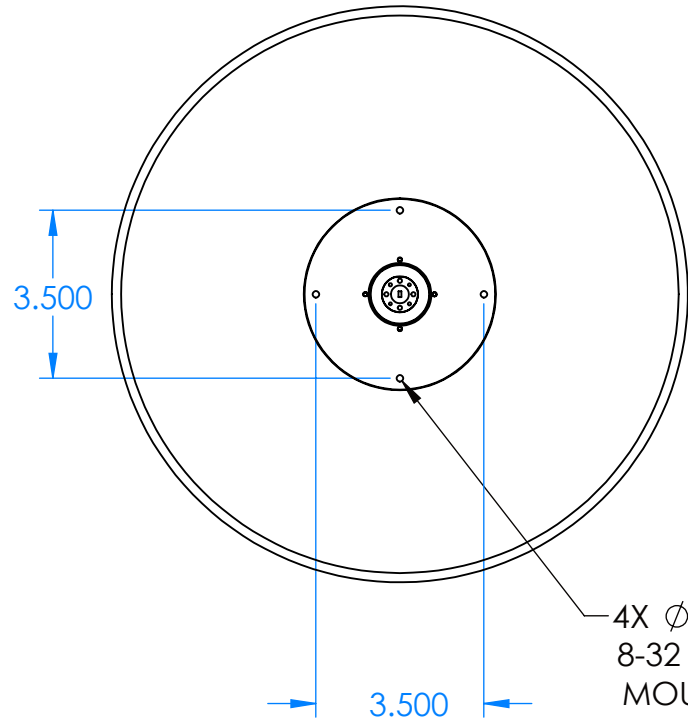
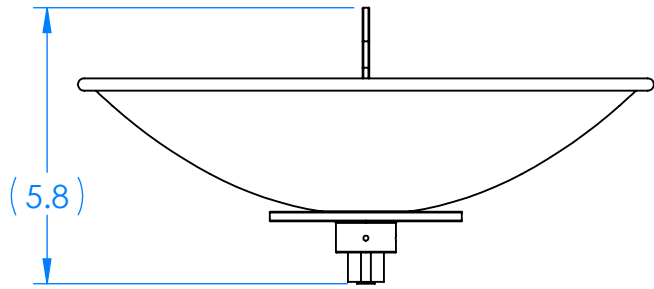


REVISIONS			
REV	DESCRIPTION	DATE	APPROVED
-	-	-	-



4X Ø .136 THRU ALL
8-32 UNC THRU ALL
MOUNTING HOLES

DECIMALS: XXXX ±.0005 XXX ±.005 XX ±.01	DRAWN	JV	3-8-19
ANGLES: ± .5 DEGREE	CHECKED	MS	3-8-19
THIRD ANGLE PROJECTION	ENG	LS	3-8-19
	MATL:	6061 T6 ALUMINUM	

TITLE:	Millimeter Wave Products Inc.		
SIZE	DWG. NO.	REV	
A	202_V-E-W-_12_OUTLINE_24604	-	
SCALE: 1:4	WEIGHT:	SHEET 1 OF 1	