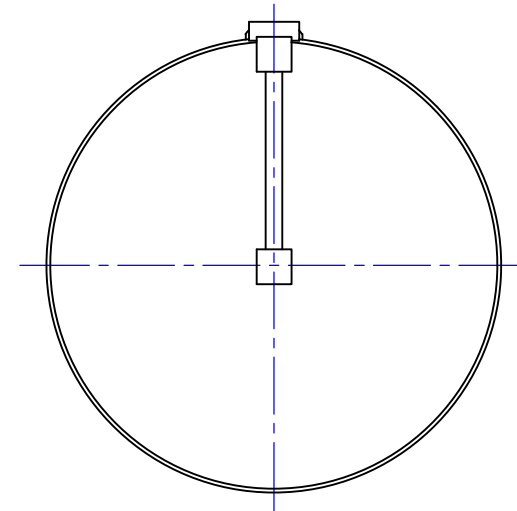
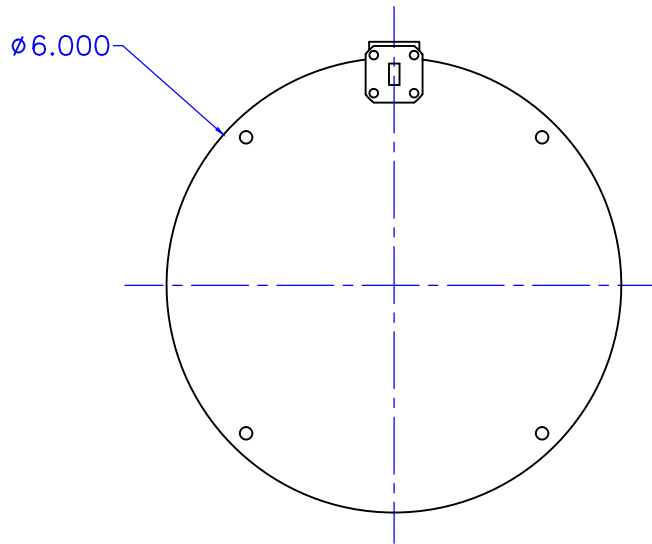
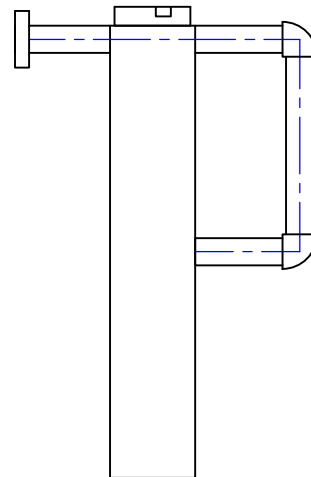
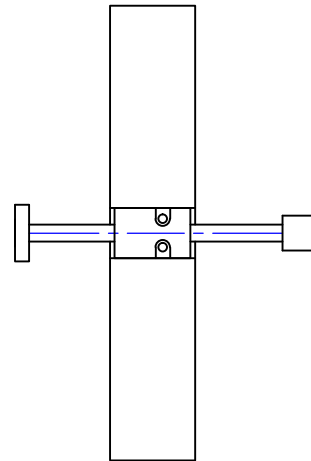


REVISIONS			
REV	DESCRIPTION	DATE	APPROVED
--	--	--	--



QTY	PART NUMBER	DESCRIPTION		ITEM
UNLESS OTHERWISE SPECIFIED ALL SURFACES $\sqrt{32}$		 THIRD ANGLE PROJECTION	Mi-Wave Millimeter Products Inc.	
DIMENSIONS ARE IN INCHES TOLERANCES ARE: DECIMALS: .1234 +/- .0005 .123 +/- .005 .12 +/- .01 ANGLES: +/- .5 DEGREES			TITLE 202A-6/599 PRIME FOCUS ANTENNA FINAL ASSEMBLY	
ALL THREADS TO BE 2A OR 2B		DRAFTING: C.C.	DATE: 2/3/2020	
REF DWG# --		APPROVED: M.S.	DATE: 2/3/2020	
		SHEET NO. 1	OF 1	SIZE A
				DWG NO 25137