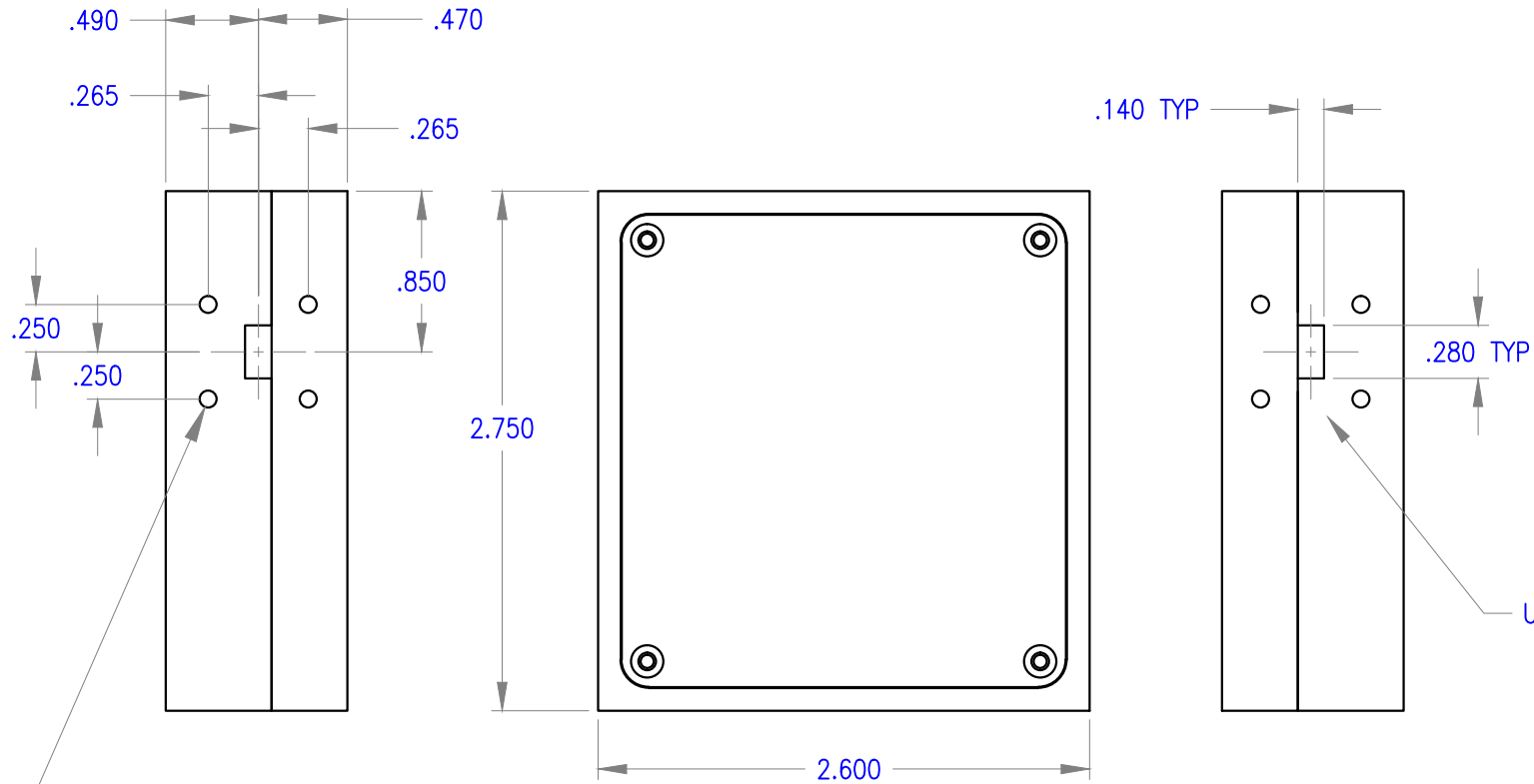
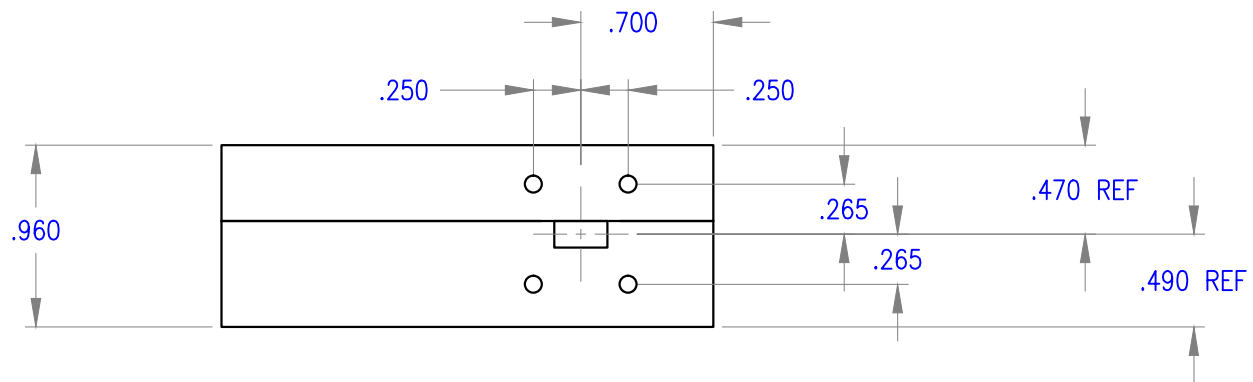
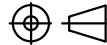


REVISIONS			
REV	DESCRIPTION	DATE	APPROVED
--	--	--	--



#4-40 THREADS



DECIMALS: XXXX ±.0005 XXX ±.005 XX ±.01	DRAWN JV 7-9-15	NAME	DATE	TITLE: Mi-Wave Millimeter Products Inc.	REV
ANGLES: ±.5 DEGREE	CHECKED MS 7-9-15	ENG MS 7-9-15	SIZE DWG. NO. A 180A-599 OUTLINE_22926		
THIRD ANGLE PROJECTION 	MATL: -		SCALE: 1:1	WEIGHT:	SHEET 1 OF 1