

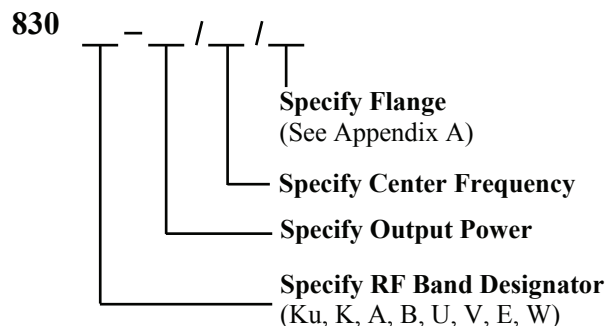
# 830 Series Mechanically Tuned Gunn Oscillators



## Features

- Low Noise
- High Stability
- 12.4 to 110 GHz
- Broadband Tuning
- Excellent Reliability

## Ordering Information



## Description

## 830 Oscillators

**Mi-Wave** 830 series mechanically tuned gunn oscillators have been designed to be used where a low noise stable frequency source is required. This source can be used for a mixer local oscillator or transmit source.

The 830 series is a moderate stability gunn oscillator typically  $\pm 750$  KHz /  $^{\circ}$  C with power outputs up to 300 milliwatts. Higher power options and stabilities are available upon request. Please consult **Mi-Wave** for further information.

## Technical Specifications

Model Number	Frequency Band (GHz)	Power Output (up to) mw	Frequency Stability MHz/C $^{\circ}$	Mech. Tuning Range MHz Min.
830Ku	12.4 - 18.0	300	.300	250
830K	18.0 - 26.5	275	.500	250
830A	26.5 - 40.0	250	.750	250
830B	33.0 - 50.0	250	.800	300
830U	40.0 - 60.0	200	1.00	350
830V	50.0 - 75.0	150	2.00	500
830E	60.0 - 90.0	100	2.50	500
830W	75.0 - 110.0	50	3.00	500

## Applications

Radar  
Radiometers  
Local Oscillators  
Telecommunications

**Mi-Wave**

Millimeter Wave Products Inc.

[www.miwv.com](http://www.miwv.com)

2200 Tall Pines Drive, Suite 100

Largo, FL 33771

Tel. (727) 536-0033 Fax. (727) 536-0012

E: [sales@miwv.com](mailto:sales@miwv.com)

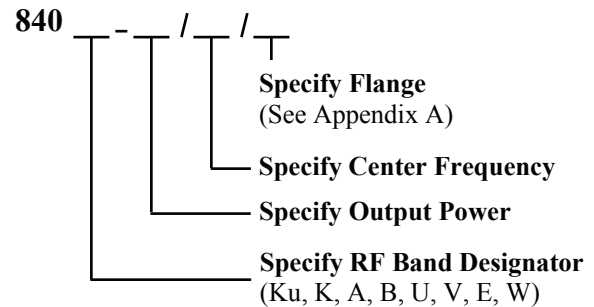
# 840 Series Electronically Tuned Gunn Oscillators



## Features

- Low Noise
- High Reliability
- 12.4 to 110 GHz
- Electronic Tuning

## Ordering Information



## Description 840 Series Oscillators

**Mi-Wave's** 840 series electronically tuned gunn oscillators have been designed to be used where a frequency agile millimeter source is required. This source can be used as a modulated transmitter or local oscillator. This 840 series gunn oscillator can provide up to 500 MHz of electronic tuning with power outputs of up to 250 milliwatts. Frequency stabilities of 100 KHz / ° C can be provided.

## Technical Specifications

Model No.	Frequency Band (GHz)	Power Output (up to mw)	Electronic Tuning (MHz)	Mech. Tuning	Freq. Stability MHz / ° C
840Ku	12.4 - 18.0	250	100	250	.30
840K	18.0 - 26.5	250	125	250	.50
840A	26.5 - 40.0	200	140	250	.70
840B	33.0 - 50.0	200	175	300	.90
840U	40.0 - 60.0	150	200	300	1.10
840V	50.0 - 75.0	100	200	400	2.2
840E	60.0 - 90.0	75	225	500	2.6
840W	75.0 - 110.0	50	250	500	3.5

## Applications

Radar  
Swept Sources  
Telecommunication Systems

**Mi-Wave**

Millimeter Wave Products Inc.

[www.miww.com](http://www.miww.com)

2200 Tall Pines Drive, Suite 100

Largo, FL 33771

Tel. (727) 536-0033 Fax. (727) 536-0012

E: [sales@miww.com](mailto:sales@miww.com)