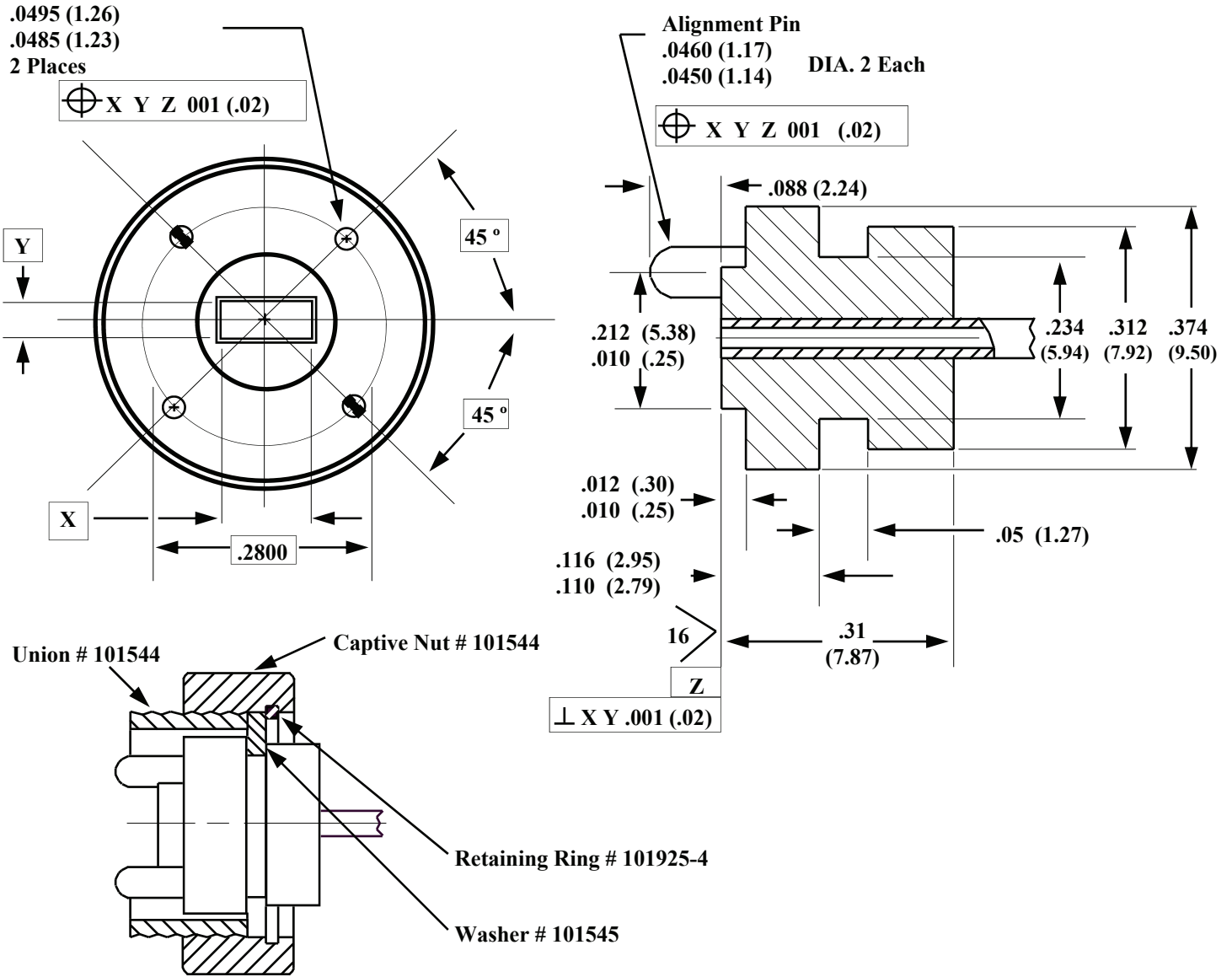


Appendix D Pin Flanges

Finished Flange and Waveguide



Flange Assembly

<i>miwy</i> Band	<i>miwy</i> Part	Frequency Band (GHz)	MIL Part Number M3922/74	C ± .0005 (.01)	D ± .0005 (.01)	EIA Waveguide Designation
F	714	90.0 140.0	-001	.0800 (2.03)	.0400 (1.02)	WR 8
D	716	110.0 170.0	-002	.0650 (1.63)	.0325 (.83)	WR 7
G	715	140.0 220.0	-003	.0510 (1.30)	.0255 (.65)	WR 5
H	717	180.0 260.5	-004	.430 (1.09)	.0215 (.55)	WR 4
J	718	220.0 325.0	-005	.0340 (.86)	.0170 (.43)	WR 3